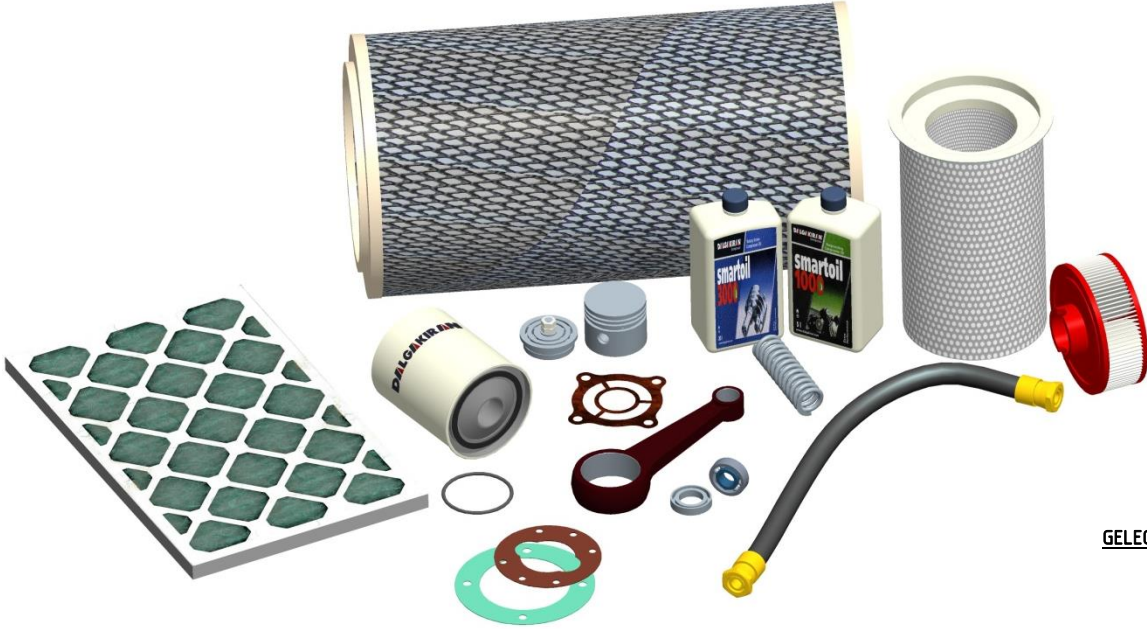


# DALGAKIRAN

## PET PLUS 25

### YEDEK PARÇA LİSTESİ SPARE PART LIST



GELECEK BAŞVURULAR İÇİN SAKLAYINIZ  
KEEP FOR FUTURE REFERENCE

MANUEL NO: PET PLUS 25

REV: 00  
09.2013

**DALGAKIRAN**

dalgakiran.com

## ➤ PARA SİPARİŐ ETME PROSEDÜRÜ

Kompresörde deęiŐmesi gereken paraların ya firmamızdan yada bizim yetkili kıldığımız yerlerden alınması gereklidir.

Bir para sipariŐ ederken ;

- kompresörün tip ve seri numarasını

- ihtiya duyduğunuz yedek paranın numarasını ve adedini belirtin.

Kompresörün tip ve seri numarası, kompresörün plaketinde yazılıdır.

**Dalgakıran Kompresör, ürünlerinde önceden herhangi bir uyarıda bulunmaksızın deęişiklik yapma hakkına sahiptir.**

## ➤ PART ORDER PROCEDURE

Any part that needs to be changed must be provided from us or our authorized supplier.

Part orders have to include ;

-compressor type and serial number (you can find this information on the name plate of compressor)

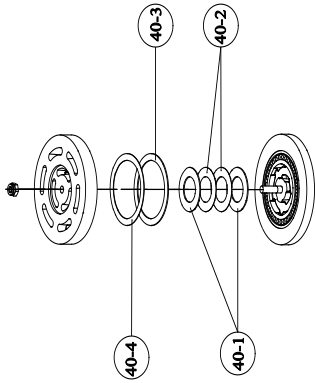
-part number and quantity of ordered spare part.

**At own unquestionable judgment, DALGAKIRAN reserves the authority to make any modification at any time and without notice.**

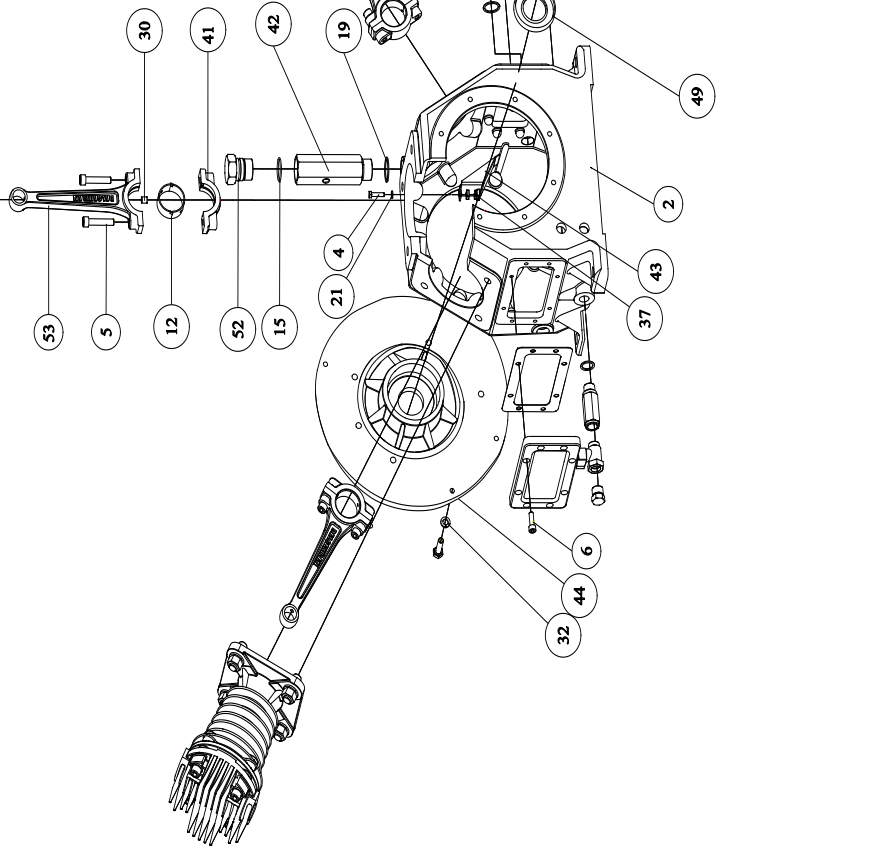
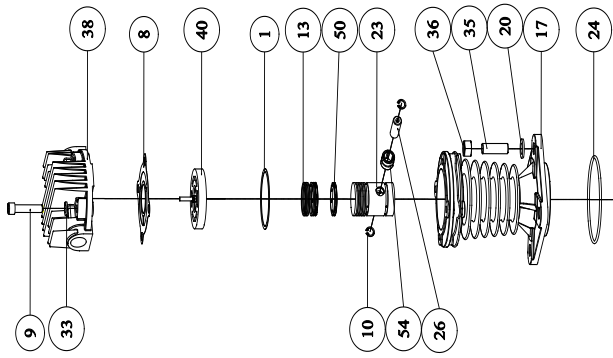
# İÇİNDEKİLER

## INDEX

<b>KEEP FOR FUTURE REFERENCE .....</b>	<b>1</b>
<b>1. KAFA SİSTEMİ / BARE PUMP SYSTEM</b>	<b>PET PLUS 25..... 4</b>
1.1 PARÇA LİSTESİ / PART LIST	PETPLUS 25..... 5
<b>2. KOMPLE SİSTEMİ / MAIN SYSTEM</b>	<b>PET PLUS 25..... 7</b>
2.1 PARÇA LİSTESİ / PART LIST	PET PLUS 25 ..... 8
<b>3. BORU BAĞLANTI SİSTEMİ/PIPE SYSTEM</b>	<b>PET PLUS 25.....11</b>
<b>3.1 PARÇA LİSTESİ/PART LIST</b>	<b>PET PLUS 25 .....12</b>



**40- VALF DETAY**

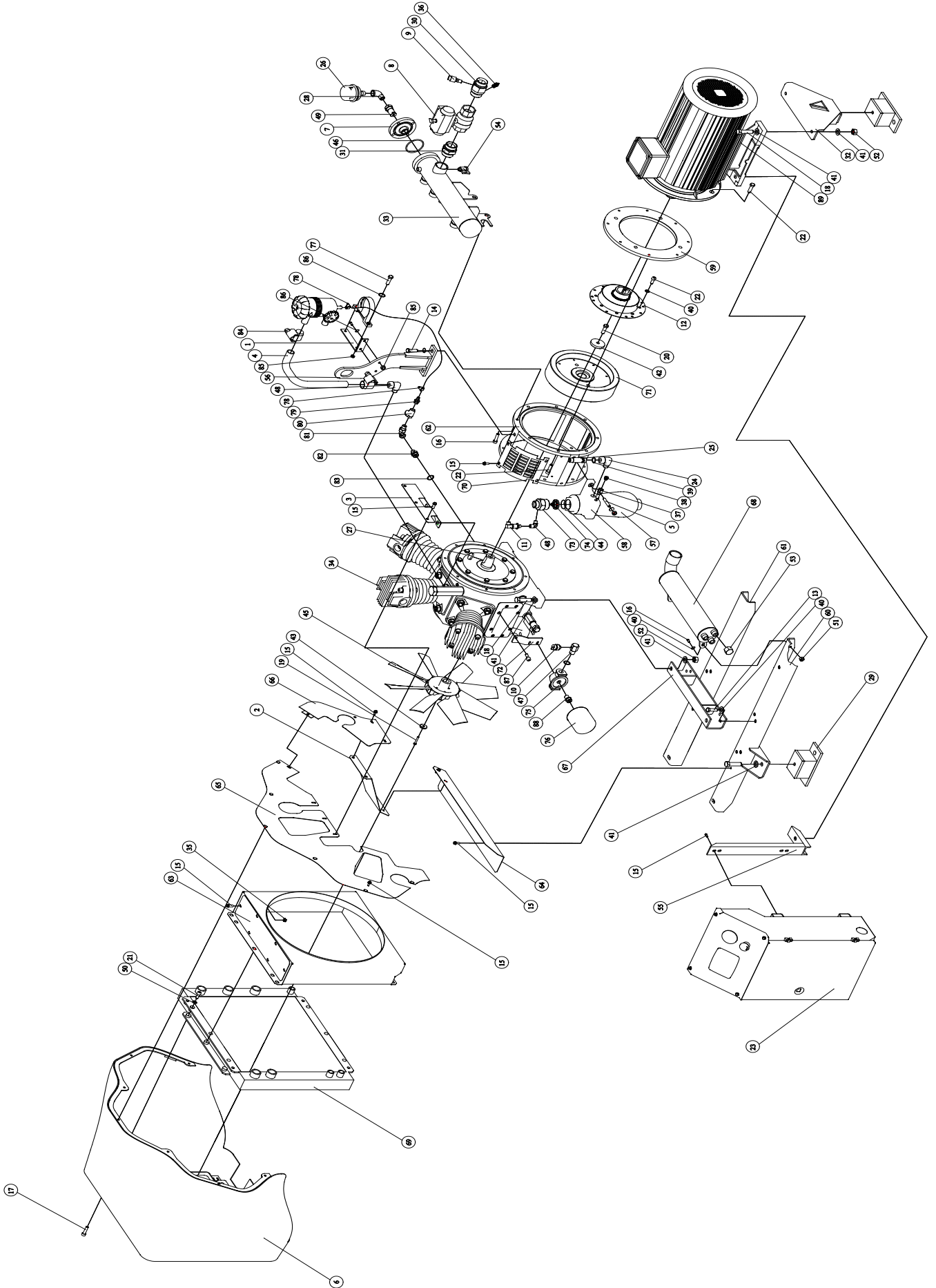


# 1.1 PARÇA LİSTESİ / PART LIST

# PETPLUS 25

REF.	KOD CODE	ADET QTY	PARÇA ADI	PART NAME
1	2313167700	3	CONTA	GASKET
2	2311220804	1	KARTER	CRANKCASE
3	2313123500	16	CİVATA	BOLT
4	2313124300	1	CİVATA	BOLT
5	2313122000	6	CİVATA	BOLT
6	0313121000	15	CİVATA	BOLT
7	2313121101	3	CİVATA	BOLT
8	2313166200	3	CONTA	GASKET
9	2313120101	12	CİVATA	BOLT
10	2313158900	6	EMNİYET SEGMANI	SAFETY PISTON RING
11	2214112800	1	KAMA	SHAFT KEY
12	1311226500	6	KEP	CONNECTING ROD BEARING
13	2311214001	12	KOMPRESYON SEGMANI	COMPRESSION PISTON RING
14	0313155001	2	KÜRESEL VANA	VALVE
15	1313167500	1	O-RING	O-RING
16	2311208440	3	BİYEL KOLU	CONNECTING ROD
17	2311208520	3	SİLİNDİR	CYLINDER
18	1313137401	2	PUL	WASHER
19	0313137600	1	PUL	WASHER
20	13131336000	12	PUL	WASHER
21	2313136800	1	PUL	WASHER
22	0313135300	3	PUL	WASHER
23	2311213830	3	PİSTON	PISTON
24	1313169506	3	O-RING	O-RING
25	1313169521	2	O-RING	O-RING
26	2313157820	3	PİSTON PİMİ	PISTON PIN
27	1313169501	1	O-RING	O-RING
28	2314233900	2	TAPA	PLUG
29	2313126200	2	TAPA	PLUG
30	2313128200	3	TAPA	PLUG
31	2311221101	1	YAĞ GÖSTERGESİ	OIL INDICATOR
32	2313138000	16	RONDELA	WASHER
33	2313137900	12	RONDELA	WASHER
34	2311216210	2	RULMAN	BEARING
35	2313126900	12	SAPLAMA	STUD BOLT
36	0313130800	12	SOMUN	NUT
37	1313130500	1	SOMUN	NUT
38	2211211500	3	ÜST BAŞLIK	CYLINDER HEAD STAGE
39	2313106800	2	UZATMA	FITTING PART
40	2311212030	3	VALF	VALVE
40-1	2311211926	2	VALF KLEPE EMİCİ	VALVE SUCTION SEALING ELEMENT
40-2	2311211924	2	VALF YAYI EMİCİ	VALVE SUCTION SPRING PLATE
40-3	2311211961	1	VALF YAYI BASICI	VALVE COMPRESSION SPRING PLATE
40-4	2311211927	1	VAKF KLEPE BASICI	VALVE COMPRESSION SEALING ELEMENT
41	2311220930	3	BİYEL KOLU ALT	CONNECTING ROD LOWER PART
42	2313173300	1	BLÖF TAKOZU	BREATHING ADAPTOR
43	1314258200	1	YAĞ ÇARPTIRMA	CRANKCASE OIL-FLOW PLATE
44	2311212301	1	ARKA KAPAK	BACK COVER
45	2311226300	2	YAN KAPAK	SIDE COVER
46	02311206870	1	KRANK MİLİ	CRANKSHAFT

47	2311212401	1	ON KAPAK	FRONT COVER
48	2313166910	2	CONTA	GASKET
49	2311218200	1	YAĞ KEÇESİ	OIL SEAL
50	2311214002	6	YAĞ SEGMANI	OIL PISTON RING
51	5315705420	1	YAĞ POMPASI	OIL PUMP
52	1214229700	1	YAĞ TAPASI	OIL PLUG
53	2311208420	1	BİYEL KOLU	CONNECTING ROD
54	1311220610	3	RULMAN	BEARING



## 2.1 PARÇA LİSTESİ / PART LIST

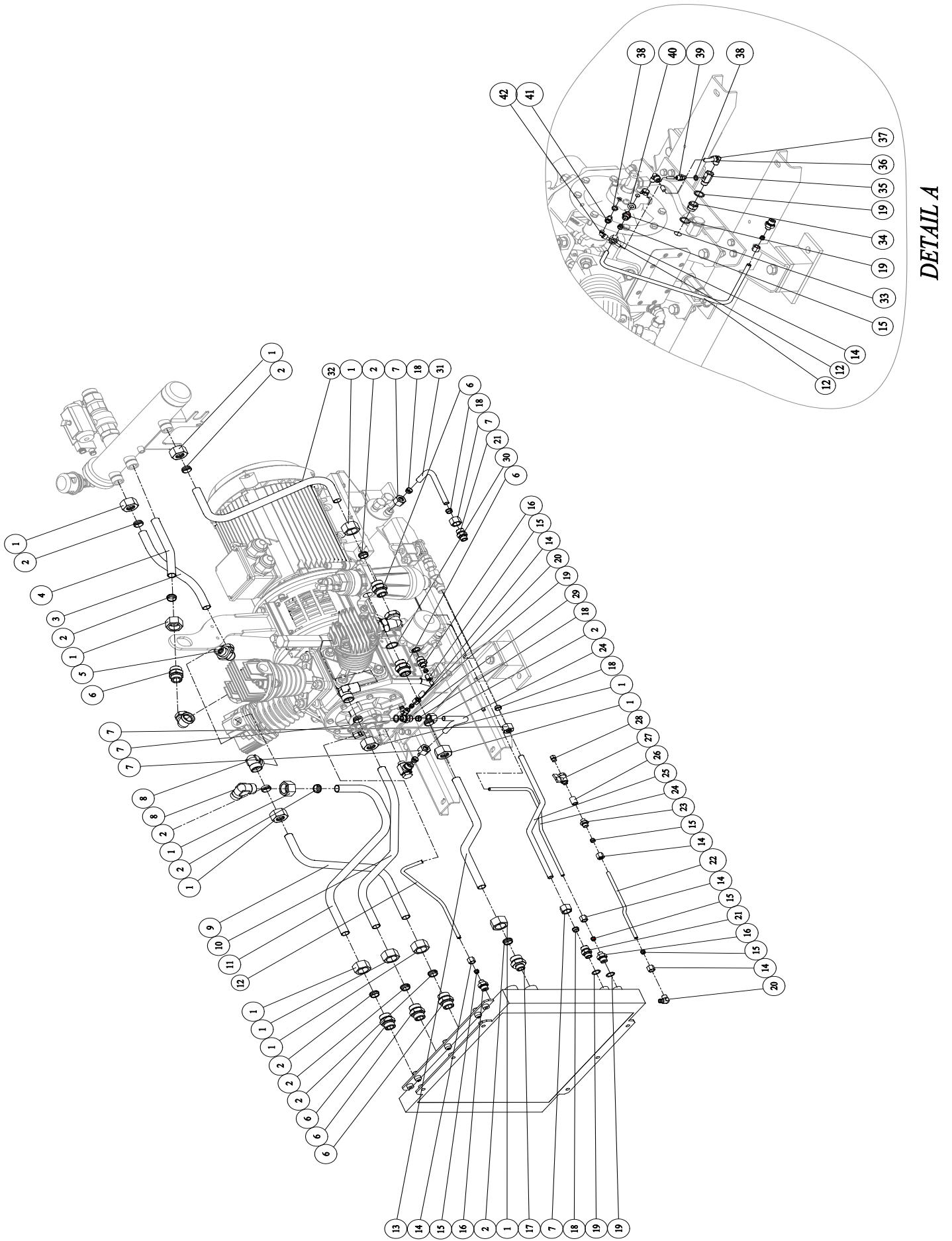
PET PLUS 25

REF.	KOD CODE	ADET QTY	PARÇA ADI	PART NAME
1	1314289660	1	PROVENT BRAKETİ	BRACKET
2	1314500802	1	KABİN ARA SACI	BRACKET
3	1314289649	1	KABİN KAPAK SAC DESTEK	BRACKET
4	1313106010	1	GİRİŞ HORTUMU	PIPE
5	0313125210	2	SAPLAMA	STUD BOLT
6	1314500810	1	KABİN	CANOPY
7	2313170640	1	KOLLEKTÖR KAPAĞI	COLLECTOR COVER
8	1312303100	1	AKTULATOR	ACTUATOR
9	1312300802	1	BASINÇ SİVİCİ	SWITCH SAFETY PRERSSURE
10	1312305003	1	BASINÇ TRANSMİTTERİ	PRESSURE TRANSMITTER
11	1312305002	1	BASINÇ TRANSMİTTERİ	PRESSURE TRANSMITTER
12	13166009950	1	KAPLİN	FLEXIBLE COUPLING
13	2313123500	8	CİVATA	BOLT
14	2313123000	9	CİVATA	BOLT
15	0313120401	31	CİVATA	BOLT
16	0313121700	2	CİVATA	BOLT
17	0313121901	6	CİVATA	BOLT
18	0313123400	6	CİVATA	BOLT
19	0313120600	1	CİVATA	BOLT
20	0313122400	1	CİVATA	BOLT
21	2313121600	16	CİVATA	BOLT
22	2313123400	16	CİVATA	BOLT
23	2312246320	1	ELEKTRİK DOLABI	ELECTRIC CABINET
24	2313114500	1	DİRSEK	ELBOW
25	0311140000	1	EMNİYET VALFİ	SAFETY VALVE
26	2311122000	1	FİLTRE	FILTER
27	2214112710	1	KAMA	SHAFT KEY
28	0313113700	1	DİRSEK (KUYRUKLU)	ELBOW
29	1213179900	3	TİTREŞİM TAKOZU	ANTI-VIBRATION MOUNT
30	1313318901	1	NİPEL	NIPPLE
31	1313108900	1	NİPEL (DELİKLİ)	NIPPLE
32	1214234310	1	MOTOR ŞASESİ	MOTOR CHASSIS



33	2313170610	1	GİRİŞ KOLLEKTÖRÜ	COLLECTOR
34	2100203000	1	KAFA	HEAD
35	1313130500	6	SOMUN	NUT
36	1313111100	1	PNÖ. RAKOR DÜZLEMİ	CONNECTOR PNEU.
37	1312301602	1	PROB KILIFI	PROB COVER
38	1312301800	1	PROB SOMUNU	PROB NUT
39	1313137401	2	PUL	WASHER
40	2313138100	30	PUL	WASHER
41	1313136000	23	PUL	WASHER
42	2313139300	1	PUL	WASHER
43	2313135400	1	PUL	WASHER
44	1313169530	1	O-RING	O-RING
45	1311114430	1	FAN	FAN
46	1313169511	1	O-RING	O-RING
47	1214408500	1	DAĞITIM TAKOZU	DISTRIBUTIONADAPTOR
48	0313114300	1	DİRSEK	ELBOW
49	2311140501	1	ÇEKVALF	CHECK VALVE
50	2313138000	16	RONDELA	WASHER
51	0313130500	4	SOMUN	NUT
52	0313130800	7	SOMUN	NUT
53	2313130010	2	SOMUN	NUT
54	0313155200	1	VANA	VALVE
55	1314288500	2	ELEKTRİK DOLABI ŞASE	ELECTRIC CABINET CHASSIS
56	1314287600	1	ASKI	LIFTING LUG
57	2311225600	1	KOLLEKTÖR GÖVDE	COLLECTOR BODY
58	2311225700	1	KOLLEKTÖR KAPAK	COLLECTOR COVER
59	1314119626	1	MOTOR FLANSI	MOTOR FLANGE
60	1314288420	1	ŞASE SAĞ	RIGHT CHASSIS
61	1314288410	1	ŞASE SOL	LEFT CHASSIS
62	1314292400	1	BELLHOUSING	BELLHOUSING
63	1314255410	1	DAVLUMBAZ	FAN HOUSONG
64	1314258110	1	YÖNLENDİRME SACI	BRACKET
65	1314289648	1	KAPLAMA SACI	BRACKET
66	1314289670	1	KAPLAMA SACI	BRACKET
67	1314288310	2	ŞASE	CHASSIS

68	2311225910	1	SU TAHLİYE	NIPPLE
69	1321109100	1	RADYATÖR	COOLER
70	1311203510	1	SİPER	BELT GUARD
71	2311226200	1	VOLAN	FLYWHEEL
72	1314401110	1	FİLTRE BRAKETİ	FILTER BRACKET
73	1313318903	1	ÇEKVALF BASKI NİPELİ	NIPPLE
74	2311144400	1	ÇEKVALF	CHECK VALVE
75	1311122900	1	YAĞ FİTRE BAŞLIĞI	OIL FILTER CONNECTOR
76	1311123000	1	YAĞ FİLTRESİ	OIL FILTER
77	2313121000	4	CİVATA	BOLT
78	1313168000	2	KELEPÇE	HOSE CLAMP
79	1313109800	1	TAHLİYE NİPELİ	NIPPLE
80	2311144500	1	ÇEKVALF (ÇALPARA)	CHECK VALVE
81	0313112600	1	RAKOR	CONNECTOR PNEU.
82	0313107900	1	NİPEL	NIPPLE
83	1313137500	1	PUL	WASHER
84	1313168100	2	KELEPÇE	HOSE CLAMP
85	0313130400	4	SOMUN	NUT
86	0313135300	4	PUL	WASHER
87	0313121000	1	CİVATA	BOLT
88	1313320200	1	NİPEL	NIPPLE
89	0312101120	1	MOTOR	MOTOR



### 3.1 PARÇA LİSTESİ/PART LIST

### PET PLUS 25

REF.	KOD CODE	ADET QTY.	PARÇA ADI	PART NAME
1	2313130200	14	SOMUN	NUT
2	2313147900	14	YÜKSÜK	CUTTING RING
3	1313104240	1	BORU KOLLEKTÖR GİRİŞ K1	PIPE COLLECTOR
4	1313104260	1	BORU KOLLEKTÖR GİRİŞ K2	PIPE COLLECTOR
5	2313112800	3	KÖŞE RAD. RAKOR	ELBOW
6	2313108600	7	NİPEL	NIPPLE
7	2313130000	7	SOMUN	NUT
8	2313114700	3	DİRSEK	ELBOW
9	1313104270	1	BORU SİLİNDİR1 ÇIKIŞ	PIPE CYLINDER OUTPUT
10	1313104290	1	BORU SİLİNDİR3 ÇIKIŞ	PIPE CYLINDER OUTPUT
11	1313104280	1	BORU SİLİNDİR2 ÇIKIŞ	PIPE CYLINDER OUTPUT
12	1313104099	1	RADYATÖR YAĞ GİRİŞ	COOLER OIL INTRODUCTION
13	1313104310	1	RADYATÖR ÇIKIŞ BORU	PIPE COOLER OUTPUT
14	0313131100	8	SOMUN	NUT
15	2313147400	8	YÜKSÜK	CUTTING RING
16	1313320100	3	NİPEL	NIPPLE
17	1313107310	1	NİPEL	NIPPLE
18	2313147600	7	YÜKSÜK	CUTTING RING
19	1313137401	12	PUL	WASHER
20	1313112302	2	DİRSEK	ELBOW
21	0313107200	3	NİPEL	NIPPLE
22	1313104085	1	RADYATÖR YAĞ TAHLİYE	COOLER OIL NIPPLE
23	0313108200	2	NİPEL	NIPPLE
24	1313104230	3	BORU SİLİNDİR1 ÇIKIŞ	PIPE CYLINDER OUTPUT
25	1313104320	1	BORU RADYATÖR YAĞ ÇIKIŞ	PIPE COOLER OUTPUT
26	1313146600	1	MANŞON	SLEEVE
27	0313155200	2	VANA	VALVE
28	2314233500	1	TAPA	PLUG
29	1313320000	1	NİPEL	NIPPLE
30	0313137600	1	PUL	WASHER
31	1313104212	1	KOLLEKTÖR BORU	COLLECTOR PIPE

32	1313104250	1	KOLLEKTÖR BORU K3 GİRİŞ	COLLECTOR PIPE
33	1313110303	1	NİPEL	NIPPLE
34	1313112900	1	REDÜKSİYON	ADAPTOR
35	1214408300	1	DAĞITIM TAKOZU	DISTRIBUTION ADAPTOR
36	1313111300	2	PNÖ. RAKOR	CONNECTOR PNEUMATIC
37	1313104600	1	YAĞ TAHLİYE PNÖ.	PNEUMATIC HOSE
38	1313137200	2	PUL	WASHER
39	1313112500	1	PNÖMATİK RAKOR	DISTRIBUTION ADAPTOR
40	2313137000	1	PUL	WASHER
41	2313106211	1	UZATMA	ADAPTOR
42	1313112100	1	PNÖ. RAKOR DİRSEK	ELBOW