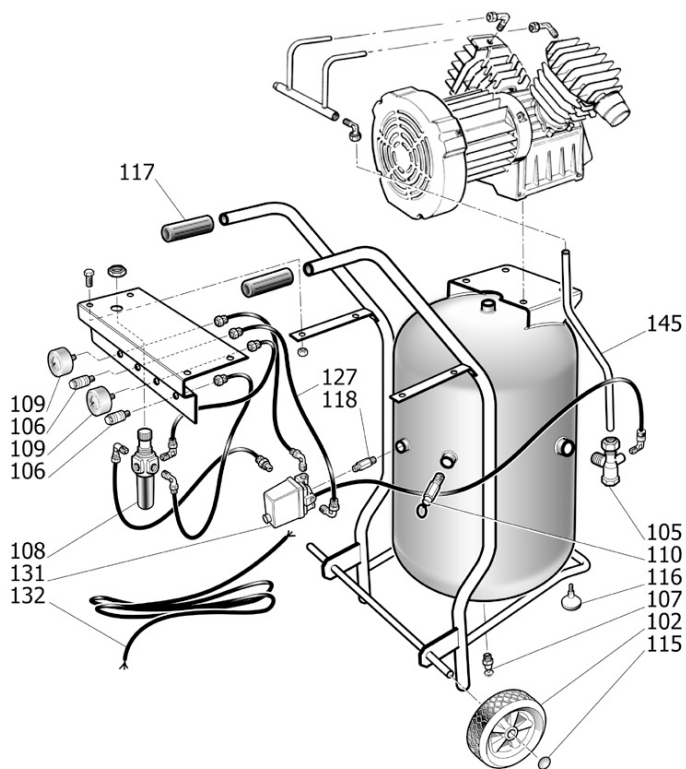


Information

Item	4116017007	Description	WORKSHOP JOBBER GV 34 ECON.
------	------------	-------------	-----------------------------



Part

Nr.	Item	Description	End	Q.ty
099	6218739500	Pump		1.00 PC
102	6214347900	Wheel kit		2.00 PC
105	2236100077	Non return valve		1.00 PC
106	6231944100	Tap		2.00 PC
106	6231944100	Tap	20/01/05	2.00 PC
106	6231944100	Tap	02/01/05	4.00 PC
107	2236108175	Drain tap		1.00 PC
108	2236111008	Pressure reducer		1.00 PC
108	2236111008	Pressure reducer	20/01/05	1.00 PC

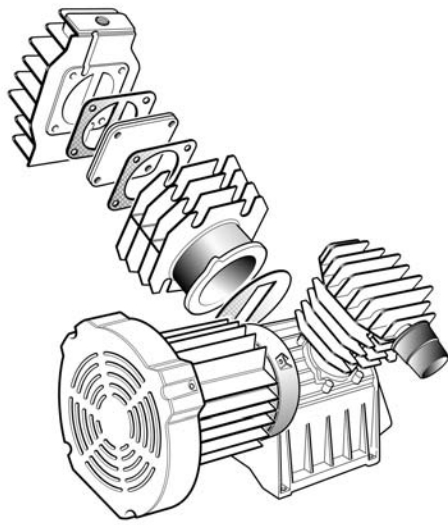
Part

Nr.	Item	Description	End	Q.ty
108	6211472000	Pressure reducer	20/01/05	1.00 PC
108	6211472000	Pressure reducer	22/03/11	1.00 PC
109	6214344900	Gauge		2.00 PC
109	6214344900	Gauge	20/01/05	2.00 PC
110	2236100092	Safety valve	20/07/05	1.00 PC
110	6210719900	Safety valve		1.00 PC
112	6231942800	Fitting		2.00 PC
115	6214346400	Snap ring		2.00 PC
116	2236105162	Plug		2.00 PC
117	2236105160	Knob		2.00 PC
118	2236105466	Fitting		1.00 PC
118	2236105466	Fitting	20/02/11	1.00 PC
127	2236100802	Rilsan tube		0.50 M
127	6245578000	Rilsan tube	20/01/05	0.30 M
127	6245578000	Rilsan tube		0.50 M
127	6245578100	Rilsan tube		0.50 M
127	6245578100	Rilsan tube	20/01/05	0.50 M
131	2236110611	Pressure switch	20/02/11	1.00 PC
131	2236110612	Pressure switch		1.00 PC
131	6256397000	Pressure switch	20/02/11	1.00 PC
132	2236106747	Cable		1.00 PC
132	2236106747	Cable	20/02/11	1.00 PC
145	2236105453	Delivery pipe		1.00 PC

Information

Item 4116017007 Description WORKSHOP JOBBER GV 34 ECON.

GV34



A3N01

Part

Nr.	Item	Description	End	Q.ty
PK1	8973037651	Performance kit		1.00 PC