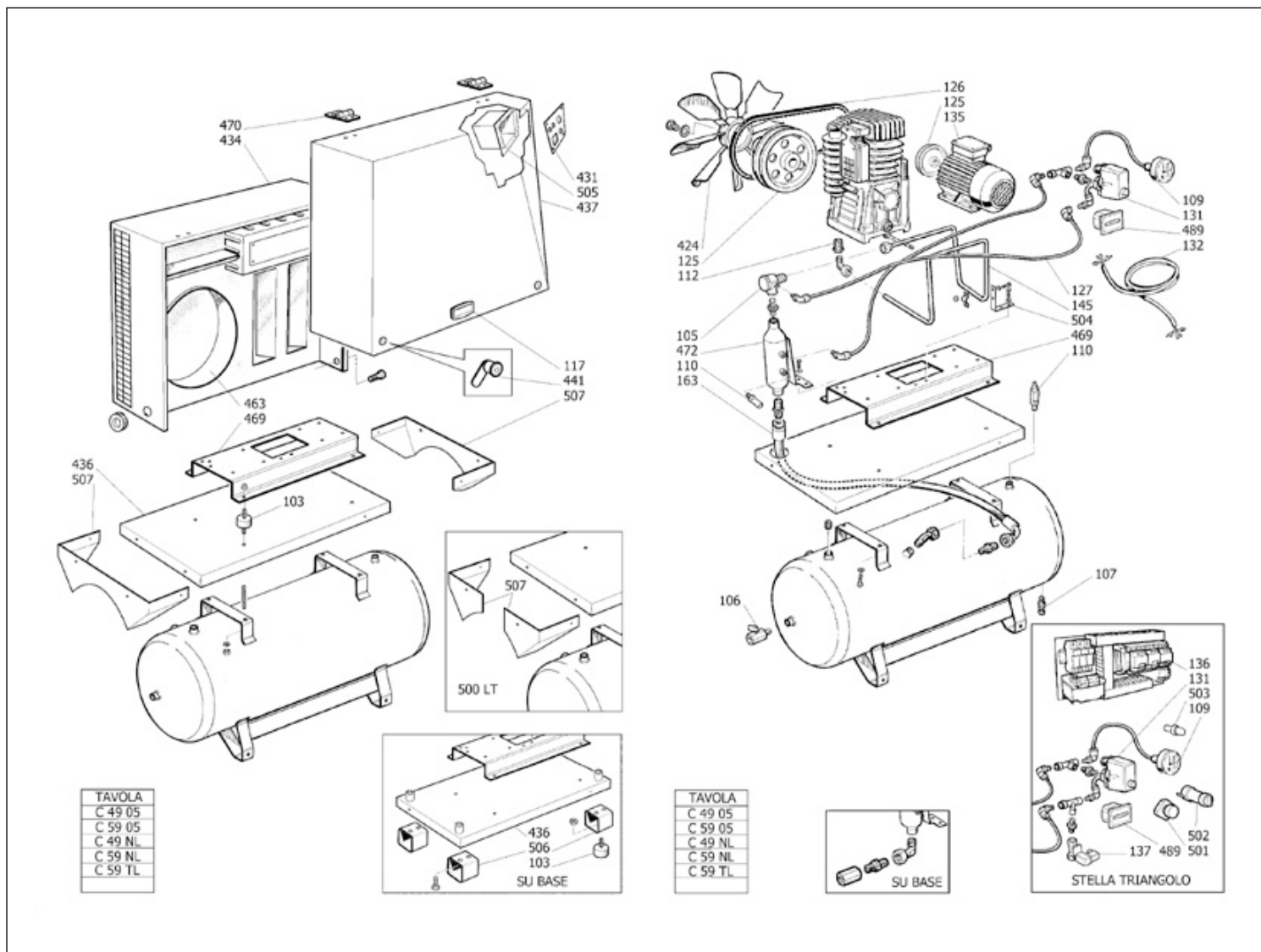


## Information

Item 4116007003 Description B 5900B/LN/500 FT 5 5 V400 NT



## Part

Nr.	Item	Description	End	Q.ty
135	6226132100	Motor		1.00 PC
145	2236105320	Delivery pipe		1.00 PC
145	6245578900	Delivery pipe	27/04/08	1.00 PC
163	6245579200			1.00 PC
163	6245579200		02/03/08	1.00 PC
424	6243732900	Fan	27/04/08	1.00 PC
424	6243732900	Fan	29/05/05	1.00 PC
431	2236107179	Control board	18/04/12	1.00 PC
431	2236111543	Control board		1.00 PC

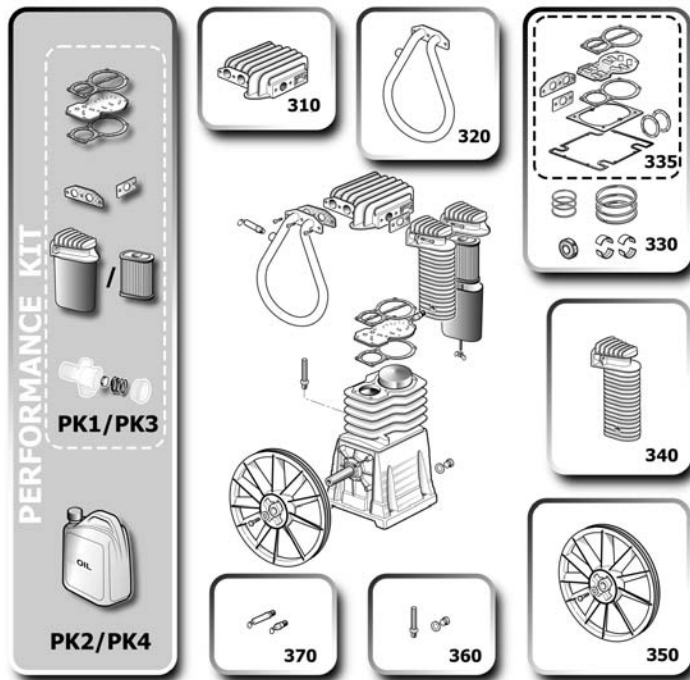
**Part**

Nr.	Item	Description	End	Q.ty
435	2236108226	Right panel	27/04/08	1.00 PC
435	2236108227	Right panel		1.00 PC
435	2236108227	Right panel	29/05/05	1.00 PC
435	2236108228	Right panel		1.00 PC
435	2236108228	Right panel	27/04/08	1.00 PC
435	2236108231	Right panel		1.00 PC
435	2236108232	Right panel	27/04/08	1.00 PC
436	6275615200	Base		1.00 PC
436	6275615200	Base	27/04/08	1.00 PC
437	2236107181	Front panel		1.00 PC
437	2236107181	Front panel	27/04/08	1.00 PC
441	6275617900	Lock		2.00 PC
441	6275617900	Lock	27/04/08	2.00 PC
463	6275615900	Fan conveyor	27/04/08	1.00 PC
469	2236107218	Motor base		1.00 PC
469	2236107218	Motor base	29/05/05	1.00 PC
469	6275617100	Motor base	27/04/08	1.00 PC
469	6275617100	Motor base	29/05/05	1.00 PC
470	6275617500	Hinge		2.00 PC
470	6275617500	Hinge	27/04/08	2.00 PC
472	2236107180	Receiver	15/11/06	1.00 PC
472	2236107180	Receiver	27/04/08	1.00 PC
472	2236107219	Receiver		1.00 PC
489	6266369400	Hour meter		1.00 PC
504	6275615600	Bracket		1.00 PC
505	2236111541	Box		1.00 PC
505	6215040500	Box	18/04/12	1.00 PC
507	6275616400	Panel		2.00 PC
507	6275616400	Panel	02/03/08	2.00 PC
507	6275616500	Panel		2.00 PC
507	6275616500	Panel	02/03/08	2.00 PC
131	2236109900	Pressure switch	14/01/07	1.00 PC
131	6256396400	Pressure switch	07/02/10	1.00 PC
131	6256396400	Pressure switch	25/03/07	1.00 PC
131	6256397400	Pressure switch	07/02/10	1.00 PC
131	6256397400	Pressure switch	22/10/11	1.00 PC
132	6266368400	Cable		1.00 PC
132		Cable	07/02/10	1.00 PC
	6266368400		25/03/07	
132	6266368400	Cable		1.00 PC
134	6256395500	Motor - pressure switch cable	07/02/10	1.00 PC
134	6256395500	Motor - pressure switch cable		1.00 PC

## Information

Item 4116007003 Description B 5900B/LN/500 FT 5 5 V400 NT

### B5900



A5306

## Part

Nr.	Item	Description	End	Q.ty
310	2901324964	Cylinder head kit		1.00 PC
310	2901324964	Cylinder head kit	29/05/05	1.00 PC
320	2901324965	Cooler kit		1.00 PC
320	2901324965	Cooler kit	29/05/05	1.00 PC
330	6229026900	Upgrade kit		1.00 PC
330	6229026900	Upgrade kit	29/05/05	1.00 PC
335	8973037264	Joints kit		1.00 PC
335	8973037264	Joints kit	29/05/05	1.00 PC
340	2901324966	Aftercooler kit		1.00 PC

**Part**

<b>Nr.</b>	<b>Item</b>	<b>Description</b>	<b>End</b>	<b>Q.ty</b>
340	2901324966	Aftercooler kit	29/05/05	1.00 PC
350	6229020100	Flywheel kit		1.00 PC
350	6229020100	Flywheel kit	29/05/05	1.00 PC
360	2901324951	Oil level kit		1.00 PC
360	2901324951	Oil level kit	29/05/05	1.00 PC
370	6229020200	Safety valve kit		1.00 PC
370	6229020200	Safety valve kit	29/05/05	1.00 PC
PK1	8973037628	Performance kit		1.00 PC
PK1	8973037628	Performance kit	29/05/05	1.00 PC
PK2	8973037629	Performance kit + oil		1.00 PC
PK2	8973037629	Performance kit + oil	29/05/05	1.00 PC
PK3	8973037630	Performance kit		1.00 PC
PK3	8973037630	Performance kit	29/05/05	1.00 PC
PK4	8973037631	Performance kit + oil		1.00 PC
PK4	8973037631	Performance kit + oil	29/05/05	1.00 PC

