

➤ PARA SİPARİŐ ETME PROSEDÜRÜ

Kompresörde deęiŐmesi gereken paraların ya firmamızdan yada bizim yetkili kıldığımız yerlerden alınması gereklidir.

Bir para sipariŐ ederken ;

- kompresörün tip ve seri numarasını

- ihtiya duyduğunuz yedek paranın numarasını ve adedini belirtin.

Kompresörün tip ve seri numarası, kompresörün plaketinde yazılıdır.

Dalgakıran Kompresör, ürünlerinde önceden herhangi bir uyarıda bulunmaksızın deęiŐiklik yapma hakkına sahiptir.

➤ PART ORDER PROCEDURE

Any part that needs to be changed must be provided from us or our authorized supplier.

Part orders have to include ;

-compressor type and serial number (you can find this information on the name plate of compressor)

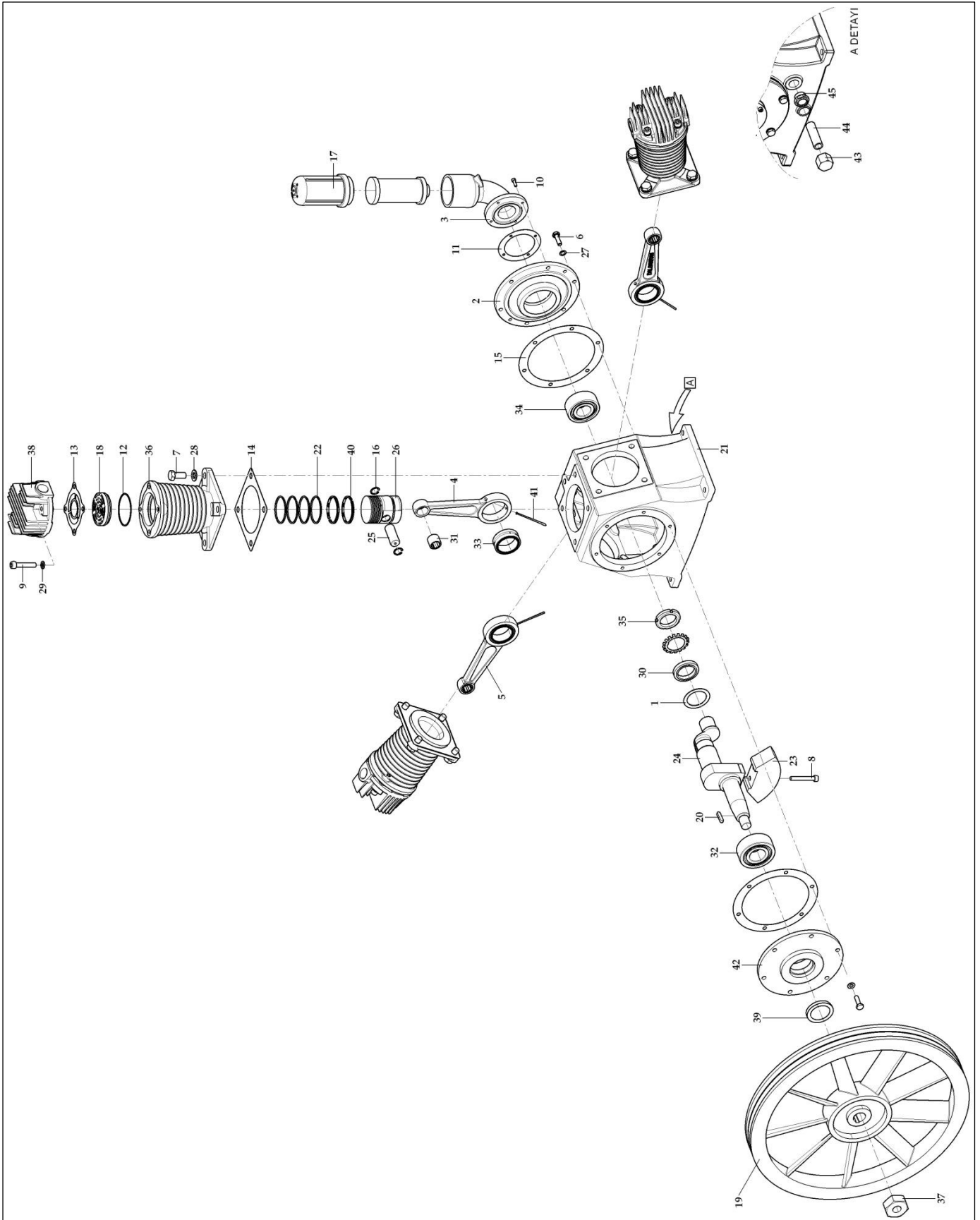
-part number and quantity of ordered spare part.

At own unquestionable judgment, DALGAKIRAN reserves the authority to make any modification at any time and without notice.

İÇİNDEKİLER

INDEX

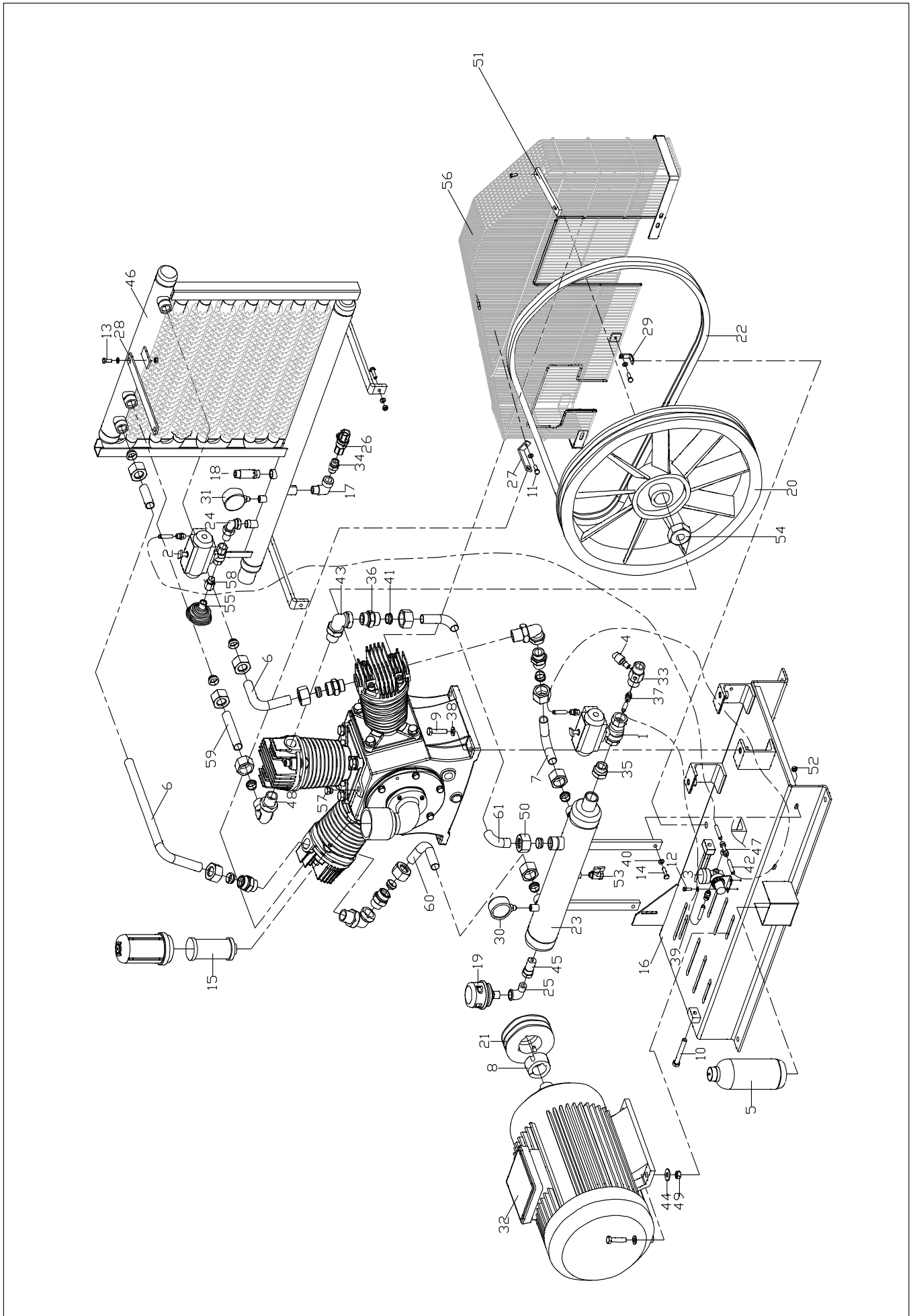
1.	KAFA SİSTEMİ / BARE PUMP SYSTEM	DBK 25-30-40	4
1.1	PARÇA LİSTESİ / PART LIST	DBK 25-30-40	5
2.	KOMPLE SİSTEMİ / MAIN SYSTEM	DBK 25-30-40	6
2.1	PARÇA LİSTESİ / PART LIST	DBK 25-30-40.....	7



1.1 PARÇA LİSTESİ / PART LIST

DBK 25-30-40

REF	KOD CODE	ADET QTY	PARÇA ADI	PART NAME
1	2313140000	1	ARA PUL	WASHER
2	2311205601	1	ARKA KAPAK	BACK COVER
3	2311205903	1	ARKA RULMAN KAPAĞI	BACK BEARING COVER
4	2311206906	1	BİYEL KOLU DİK	CONNECTING ROD (TOP)
5	2311206905	2	BİYEL KOLU YAN	CONNECTING ROD (SIDE)
6	2313123500	12	CİVATA	BOLT
7	2313123000	12	CİVATA	BOLT
8	2313122101	2	CİVATA	BOLT
9	2313120101	12	CİVATA	BOLT
10	2313123700	4	CİVATA	BOLT
11	2313166300	1	ARKA RULMAN KAPAK CONTASI	GASKET
12	2313164300	3	ALICI VALF ALT CONTASI	GASKET
13	2313166200	3	SİLİNDİR ÜST CONTASI	CYLINDER GASKET (TOP)
14	2313164400	3	SİLİNDİR ALT CONTASI	CYLINDER GASKET (BOTTOM)
15	2313164200	2	ÖN-ARKA KAPAK CONTA	GASKET
16	2313159000	6	EMNİYET SEGMANI	RETAINING RING
17	2311122600	1	FİLTRE KAPAĞI	FILTER COVER
18	2311211900	3	KOMPRESÖR VALFİ	COMPRESSOR VALVE
19	2312411002	1	KAFA KASNAĞI	PULLEY (BARE PUMP)
20	2214111500	1	KAMA	SHAFT KEY
21	2311202400	1	KARTER	CRANKCASE
22	2311214201	12	KOMPRESYON SEGMANI	PISTON RING (COMPRESSION)
23	2311204401	1	KRANK AGIRLIGI	COUNTER WEIGHT
24	2311204300	1	KRANK	CRANK SHAFT
25	2313157400	3	PİSTON PİMİİ	PISTON PIN
26	2311212902	3	PİSTON	PISTON
27	2313137000	12	PUL	WASHER
28	2313137100	12	PUL	WASHER
29	2313137200	12	PUL	WASHER
30	2313138900	1	PUL	WASHER
31	1311226400	3	RULMAN	BEARING
32	2311215400	1	RULMAN	BEARING
33	2311214900	3	RULMAN	BEARING
34	2311218700	1	RULMAN	BEARING
35	2311217400	1	RULMAN TAKIMI	BEARING SET
36	2311209800	3	SİLİNDİR	CYLINDER
37	2313131400	1	SOMUN	NUT
38	2211211500	3	ÜST BAŞLIK	CYLINDER HEAD
39	2311218101	1	YAG KEÇESİ	OIL SEAL
40	2311214202	6	YAG SEGMANI	PISTON RING (OIL)
41	1313157900	3	YAG ÇIRPMA ÇUBUĞU	SPLASH PIN
42	2311205900	1	ÖN KAPAK	FRONT COVER
43	2313131200	1	SOMUN	NUT
44	2313106600	1	UZATMA	ADAPTOR
45	2311221101	1	YAĞ GÖSTERGESİ	OIL INDICATOR



2.1 PARÇA LİSTESİ / PART LIST

DBK 25-30-40

REF	KOD CODE	ADET QTY	PARÇA ADI	PART NAME
1			AKTULATOR	ACTUATOR
	1312302900	1	DBK 25	DBK 25
	1312303000	1	DBK 30-40	DBK 30-40
2	1312302800	1	AKTULATOR	ACTUATOR
3	2312300700	1	BASINÇ REGULATORU	PRESSURE REGULATOR
4	1312300802	1	BASINÇ SİVİCİ	SWITCH SAFETY PRESSURE
5	1340001202	1	BİDON	OIL RECOVERY BOTTLE
6	1313104114	1	BORU ÇIKIŞ SAĞ-SOL	PIPE (OUTLET RIGHT-LEFT)
7	2313105300	1	BORU GİRİŞ SAĞ	PIPE (INLET RIGHT)
8			BURÇ	BUSH
	1312409000	1	DBK 25	DBK 25
	1312409001	1	DBK 30	DBK 30
	1312408200	1	DBK 40	DBK 40
9	0313122500	8	CİVATA	BOLT
10	2313124400	2	CİVATA	BOLT
11	2313120200	3	CİVATA	BOLT
12	0313120400	2	CİVATA	BOLT
13	0313120800	3	CİVATA	BOLT
14	2313121100	4	CİVATA	BOLT
15	1311120000	1	FİLTRE	FILTER
16			ŞASE	FRAME
	2314244904	1	DBK 25	DBK 25
	2314244902	1	DBK 30-40	DBK 30-40
17	2313114500	1	DİRSEK	ELBOW
18	0311140000	1	EMNİYET VALFİ	SAFETY VALVE
19	2311122000	1	FİLTRE	FILTER
20	2312411002	1	KAFA KASNAĞI	PULLEY (BARE PUMP)
21			KASNAK	PULLEY
	2312412000	1	DBK 25	DBK 25
	2312411900	1	DBK 30	DBK 30
	2312412200	1	DBK 40	DBK 40
22			KAYIS	BELT
	2312422500	2	DBK 25	DBK 25
	2312423000	2	DBK 30-40	DBK 30-40
23	2313171803	1	KOLLEKTÖR	COLLECTOR
24	0313112600	1	KÖŞE RADYATOR RAKORU	ELBOW
25	0313113700	1	KUYRUKLU DIRSEK	ELBOW
26	0313155000	1	KÜRESEL VANA	VALVE
27	2314113500	1	BRAKET	BRACKET
28	2314107400	1	LAMA	CONNECTION PCS

29	2314234300	1	BRAKET	BRACKET
30	1312301103	1	MANOMETRE	MANOMETER
31	1312301200	1	MANOMETRE	MANOMETER
32			MOTOR	MOTOR
	0312101113	1	DBK 25	DBK 25
	0312101214	1	DBK 30	DBK 30
	1312101312	1	DBK 40	DBK 40
33			NİPEL	NIPPLE
	1313308300	1	DBK 25	DBK 25
	1313316700	1	DBK 30-40	DBK 30-40
34	1313109100	1	NİPEL	NIPPLE
35			REDÜKSİYON	ADAPTOR
	1313312702	1	DBK 25	DBK 25
36	2313108600	5	NİPEL	NIPPLE
37	1313111100	5	PNÖ. RAKOR DÜZ	CONNECTOR PNEU.
38	0313135700	8	PUL	WASHER
39	0313135200	4	PUL	WASHER
40	0313135300	7	PUL	WASHER
41	2313147900	12	YÜKSÜK	THIMBLE
42	1313104400	3	PNOMATİK HORTUM	TUBE (PA)
43	2313112800	3	KÖŞE RAD. RAKOR	ELBOW
44	1313135000	4	PUL	WASHER
45	2311140501	1	ÇEKVALF	CHECK VALVE
46	2311223001	1	RADYATOR	COOLER
47	1313111200	1	RAKOR	CONNECTOR PNEU.
48	2313113300	1	RAKOR	CONNECTOR PNEU.
49	0313130600	4	SOMUN	NUT
50	2313130200	12	SOMUN	NUT
51	2314113700	1	BRAKET	BRACKET
52	0313130400	7	SOMUN	NUT
53	0313155200	1	VANA	VALVE
54	2313131400	1	SOMUN	NUT
55	2313173000	1	SUSTURUCU	SILENCER
56	2311219310	1	SİPER	BELT GUARD
57	2314233400	1	TAPA	PLUG
58	1313105900	1	UZATMA	ADAPTOR
59	1313104112	1	BORU ÇIKIŞ ORTA	PIPE (OUTLET)
60	2313105301	1	BORU GİRİŞ SOL	PIPE (INLET LEFT)
61	2313105302	1	BORU GİRİŞ ORTA	PIPE (INLET)