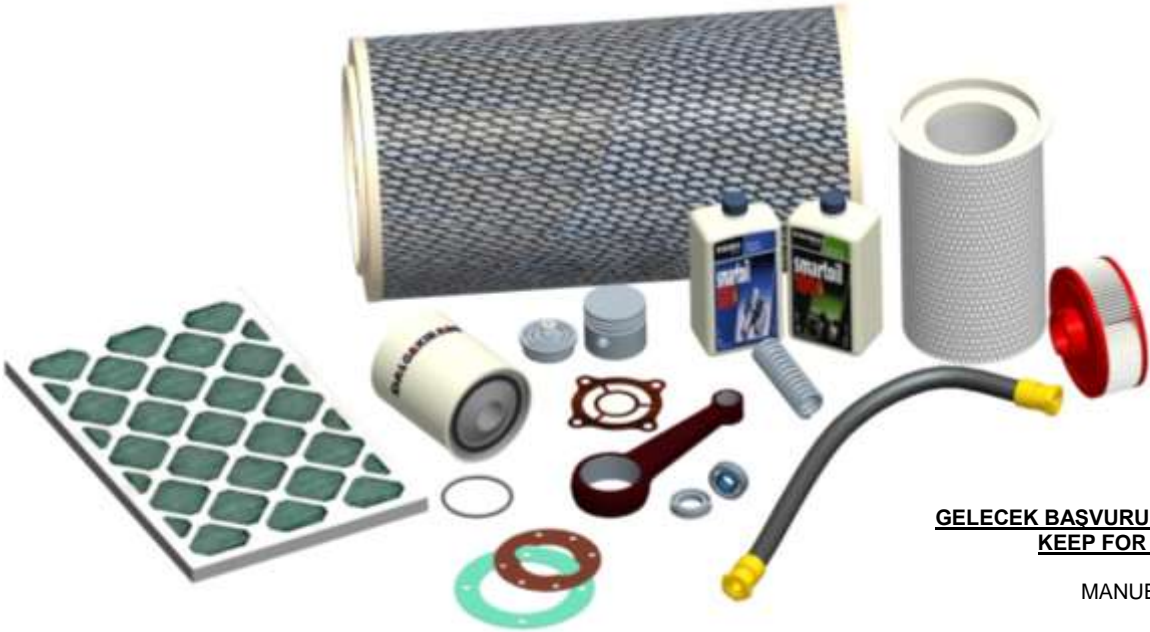


DALGAKIRAN

DVK 150 D 7-10-13 BAR

YEDEK PARÇA LİSTESİ SPARE PART LIST



GELECEK BAŞVURULAR İÇİN SAKLAYINIZ
KEEP FOR FUTURE REFERENCE

MANUEL NO: PL-D150-D-E&B
REV: 02
07.2012

DALGAKIRAN

dalgakiran.com

➤ PARÇA SİPARİŞ ETME PROSEDÜRÜ

Kompresörde deđişmesi gereken parçaların ya firmamızdan yada bizim yetkili kıldığımız yerlerden alınması gereklidir.

Bir parça sipariş ederken ;

- kompresörün tip ve seri numarasını

- ihtiyaç duyduğunuz yedek parçanın numarasını ve adedini belirtin.

Kompresörün tip ve seri numarası, kompresörün plaketinde yazılıdır.

Dalgakıran Kompresör, ürünlerinde önceden herhangi bir uyarıda bulunmaksızın deđişiklik yapma hakkına sahiptir.

Bu yedek parça listesinin tüm yayın hakları DALGAKIRAN MAKİNA SAN. VE TİC. A.Ş.'ye aittir. Kitabın tamamı veya bir bölümü hiçbir biçimde çoğaltılamaz, deđiştirilemez ve dağıtılamaz.

➤ PART ORDER PROCEDURE

Any part that needs to be changed must be provided from us or our authorized supplier.

Part orders have to include ;

-compressor type and serial number (you can find this information on the name plate of compressor)

-part number and quantity of ordered spare part.

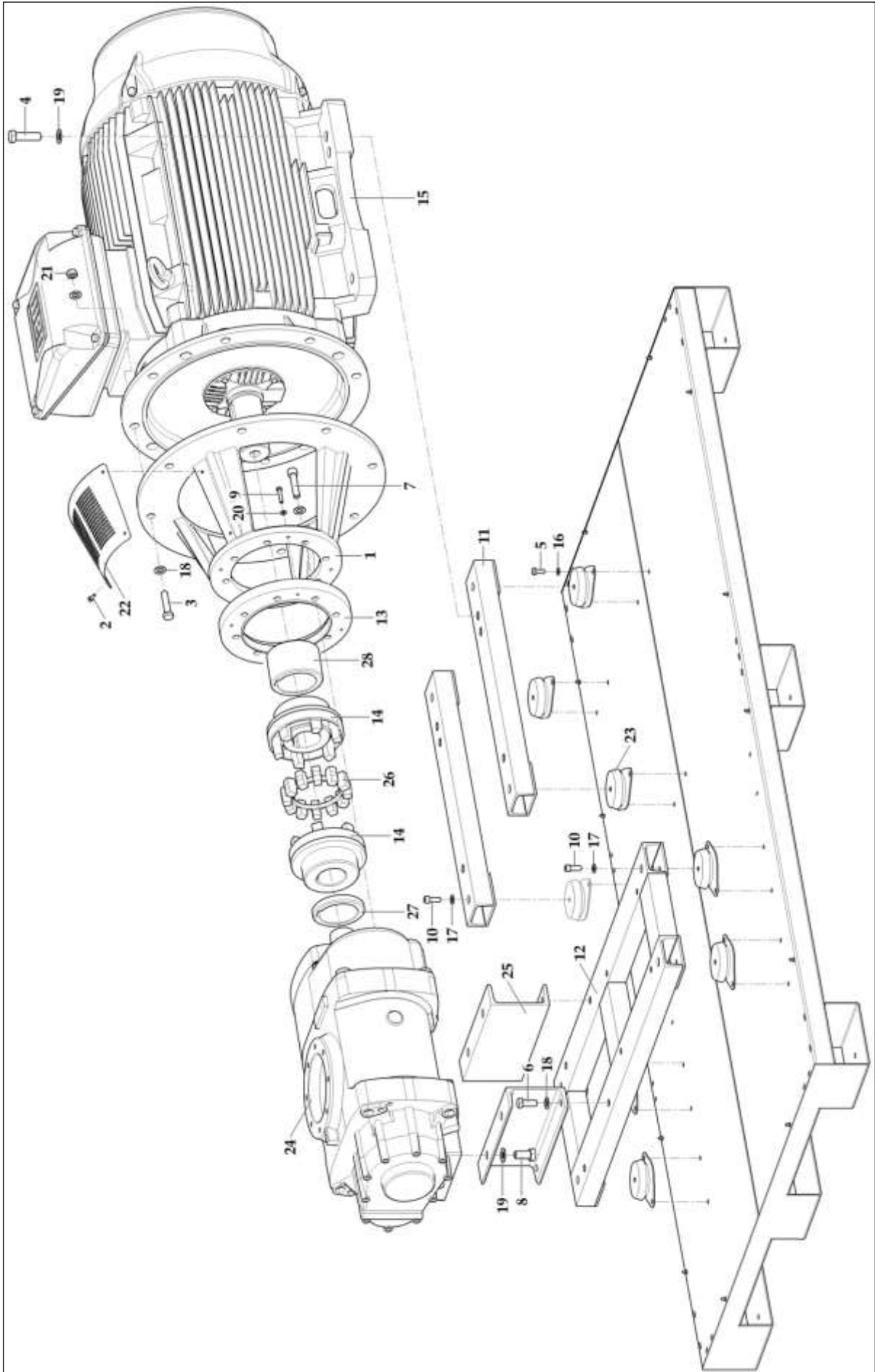
At own unquestionable judgment, DALGAKIRAN reserves the authority to make any modification at any time and without notice.

DALGAKIRAN KOMPRESOR has the legal rights of this part list and all instructions or parts. Any sampling, sharing or copying are prohibited

İÇİNDEKİLER

INDEX

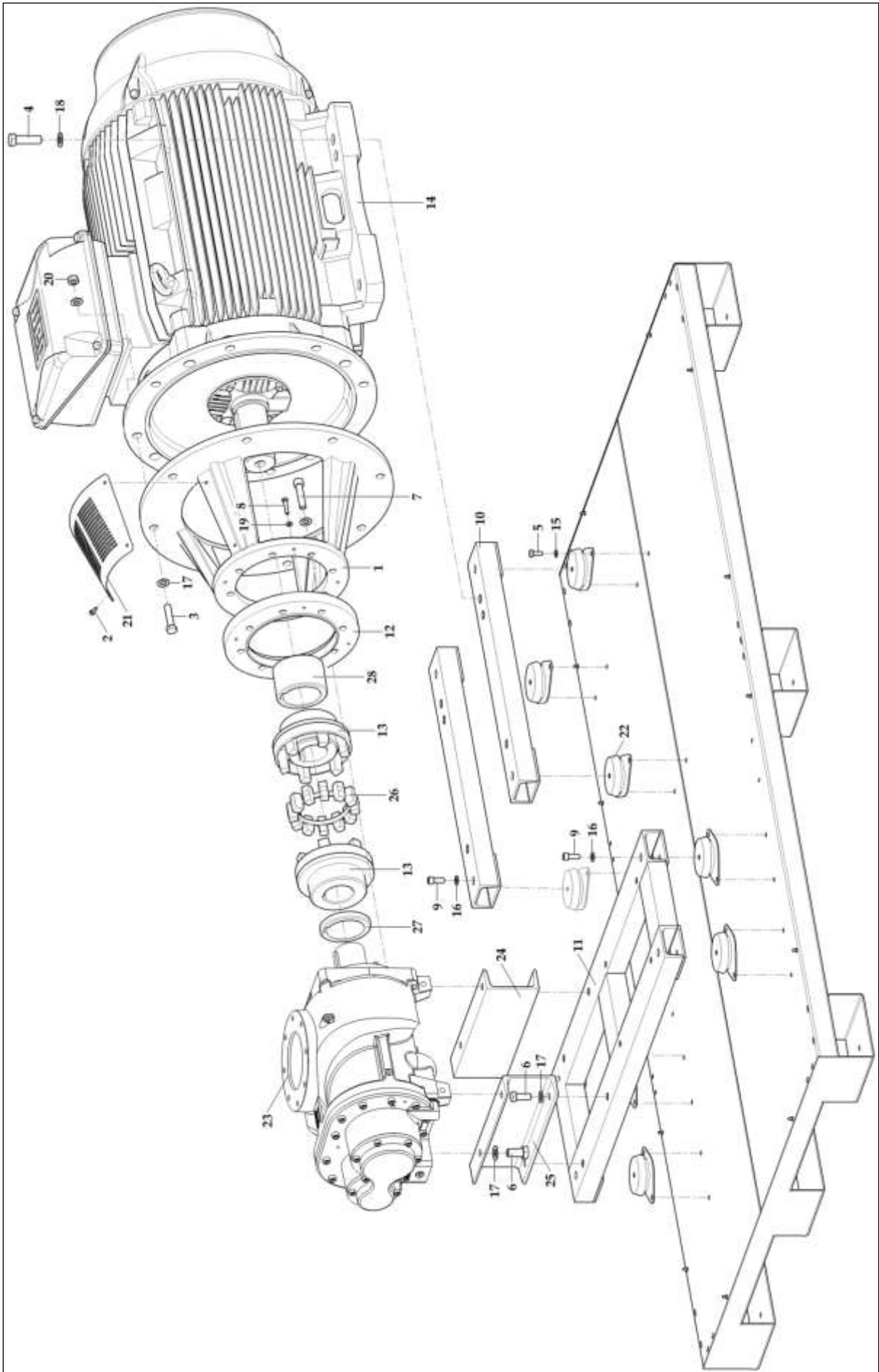
1. TAHRİK SİSTEMİ / DRIVING SYSTEM	DVK 150 D 7-13 BAR	4
1.1 PARÇA LİSTESİ / PART LIST	DVK 150 D 7-13 BAR.....	5
1.2 TAHRİK SİSTEMİ / DRIVING SYSTEM	DVK 150 D 10 BAR	6
1.2.1 PARÇA LİSTESİ / PART LIST	DVK 150 D 10 BAR.....	7
2. EMİŞ SİSTEMİ / INTAKE SYSTEM	DVK 150 D	8
2.1 PARÇA LİSTESİ / PART LIST	DVK 150 D.....	9
3. BASINÇ SİSTEMİ/PRESSURE SYSTEM	DVK 150 D 7-13 BAR	10
3.1 PARÇA LİSTESİ / PART LIST	DVK 150 D 7-13 BAR.....	11
3.2 BASINÇ SİSTEMİ/PRESSURE SYSTEM	DVK 150 D 10 BAR	12
3.2.1 PARÇA LİSTESİ / PART LIST	DVK 150 D 10 BAR.....	13
4. SOĞUTMA SİSTEMİ/COOLING SYSTEM	DVK 150 D 7-13 BAR	14
4.1 PARÇA LİSTESİ / PART LIST	DVK 150 D 7-13 BAR.....	15
4.2 SOĞUTMA SİSTEMİ / COOLING SYSTEM	DVK 150 D 10 BAR	16
4.2.1 PARÇA LİSTESİ / PART LIST	DVK 150 D 10 BAR _____	17
5. KABİN SİSTEMİ / CANOPY SYSTEM	DVK 150 D	18
5.1 PARÇA LİSTESİ / PART LIST	DVK 150 D	19



1.1 PARÇA LİSTESİ / PART LIST

DVK 150 D 7-13 BAR

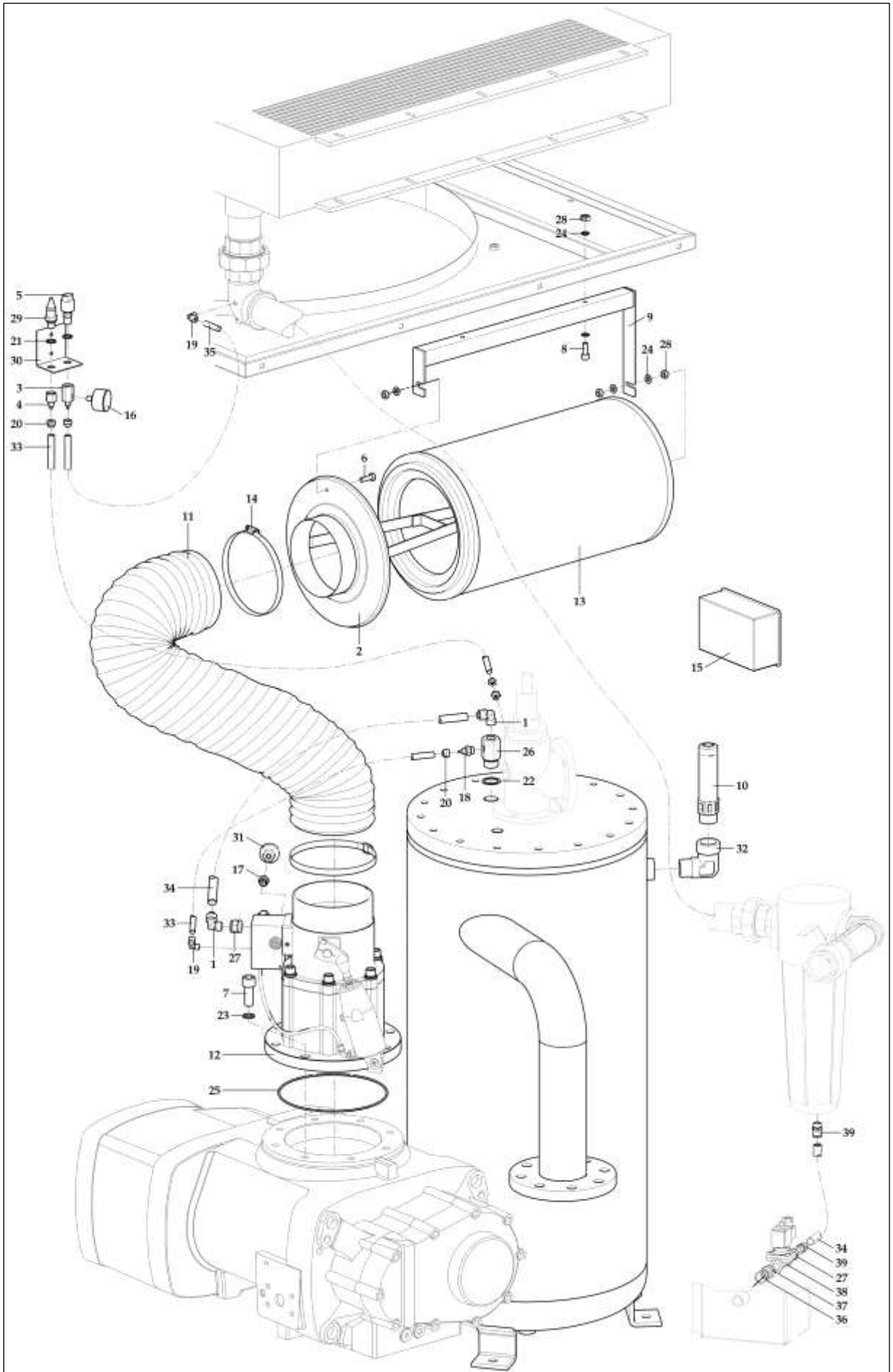
REF	KOD CODE	ADET QTY	PARÇA ADI	PART NAME
1	1314290500	1	BELHAVZİNG	BELL HOUSING
2	0313120401	12	CİVATA	BOLT
3	0313123600	8	CİVATA	BOLT
4	1313123400	4	CİVATA	BOLT
5	2313121601	16	CİVATA	BOLT
6	0313123100	4	CİVATA	BOLT
7	0313124300	8	CİVATA	BOLT
8	1313123900	4	CİVATA	BOLT
9	0313121201	4	CİVATA	BOLT
10	1313122200	8	CİVATA	BOLT
11	1314277800	2	MOTOR ŞASESİ	MOTOR FRAME
12	1314227007	1	ANA ŞASE	MAIN FRAME
13	1314291303	1	BELHAVZİNG FLANŞI	FLANGE
14	1316007700	1	KAPLİN	COUPLING
15	1322101910	1	MOTOR	MOTOR
16	2313138100	16	PUL	WASHER
17	0313135700	8	PUL	WASHER
18	1313136000	28	PUL	WASHER
19	1313136100	8	PUL	WASHER
20	0313135300	4	PUL	WASHER
21	0313130800	8	SOMUN	NUT
22	1311203800	3	SİPER	GUARD
23	1213178800	8	TİTREŞİM TAKOZU	VIBRATION PAD
24			VİDA	AIREND
	1321100505	1	DVK 150 D 7 BAR	DVK 150 D 7 BAR
	1321100547	1	DVK 150 D 13 BAR	DVK 150 D 13 BAR
25	1314277600	2	VİDA ŞASESİ	AIREND FRAME
26	2312413090	1	KAPLİN LASTİĞİ	COUPLING PAD
27	1212410400	1	MESAFE BURCU (MOTOR)	COUPLING MOUNTING WASHER (MOTOR)
28	1212410200	1	MESAFE BURCU (VİDA)	COUPLING MOUNTING WASHER (AIREND)



1.2.1 PARA LİSTESİ / PART LIST

DVK 150 D 10 BAR

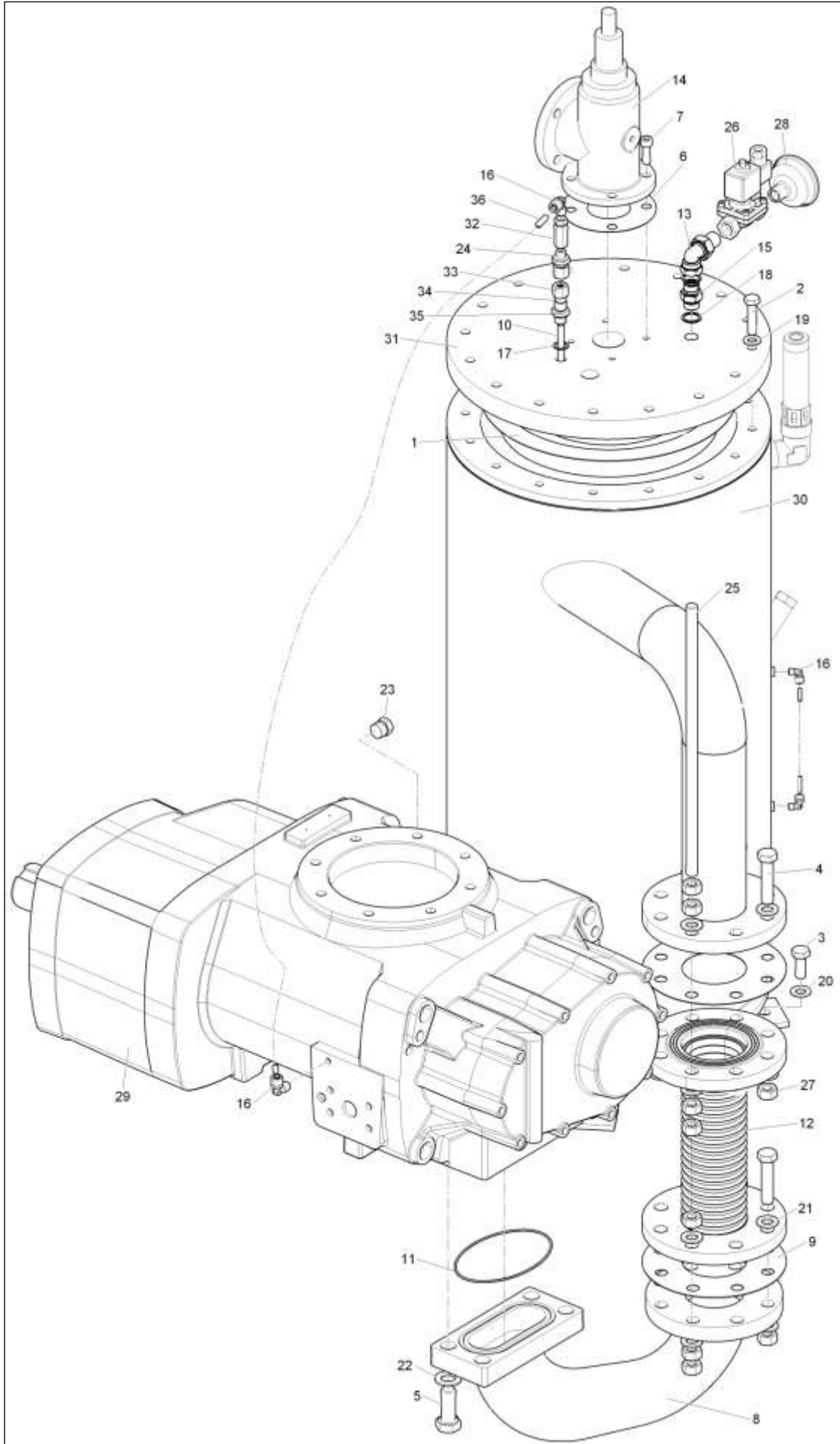
REF	KOD CODE	ADET QTY	PARA ADI	PART NAME
1	1314291800	1	BELHAVZİNG	BELL HOUSING
2	0313120401	12	CİVATA	BOLT
3	0313123600	8	CİVATA	BOLT
4	1313123400	4	CİVATA	BOLT
5	2313121601	16	CİVATA	BOLT
6	0313123100	8	CİVATA	BOLT
7	0313124300	8	CİVATA	BOLT
8	0313121201	4	CİVATA	BOLT
9	1313122200	8	CİVATA	BOLT
10	1314286300	2	MOTOR ŞASESİ	MOTOR FRAME
11	1314227007	1	ANA ŞASE	MAIN FRAME
12	1314291306	1	BELHAVZİNG FLANŞI	FLANGE
13	1316007600	1	KAPLİN	COUPLING
14	1322101912	1	MOTOR	MOTOR
15	2313138100	16	PUL	WASHER
16	0313135700	8	PUL	WASHER
17	1313136000	32	PUL	WASHER
18	1313136100	4	PUL	WASHER
19	0313135300	4	PUL	WASHER
20	0313130800	8	SOMUN	NUT
21	1311203800	3	SİPER	GUARD
22	1213178800	8	TİTREŞİM TAKOZU	VIBRATION PAD
23	1321100800	1	VİDA	AIREND
24	1314279200	1	VİDA ŞASESİ (ÖN)	AIREND FRAME (FRONT)
25	1314279100	1	VİDA ŞASESİ (ARKA)	AIREND FRAME (BACK)
26	2312413090	1	KAPLİN LASTİĞİ	COUPLING PAD
27	1212410300	1	MESAFE BURCU (VİDA)	COUPLING MOUNTING WASHER (AIREND)
28	1212410500	1	MESAFE BURCU (MOTOR)	COUPLING MOUNTING WASHER (MOTOR)



2.1 PARÇA LİSTESİ / PART LIST

DVK 150 D

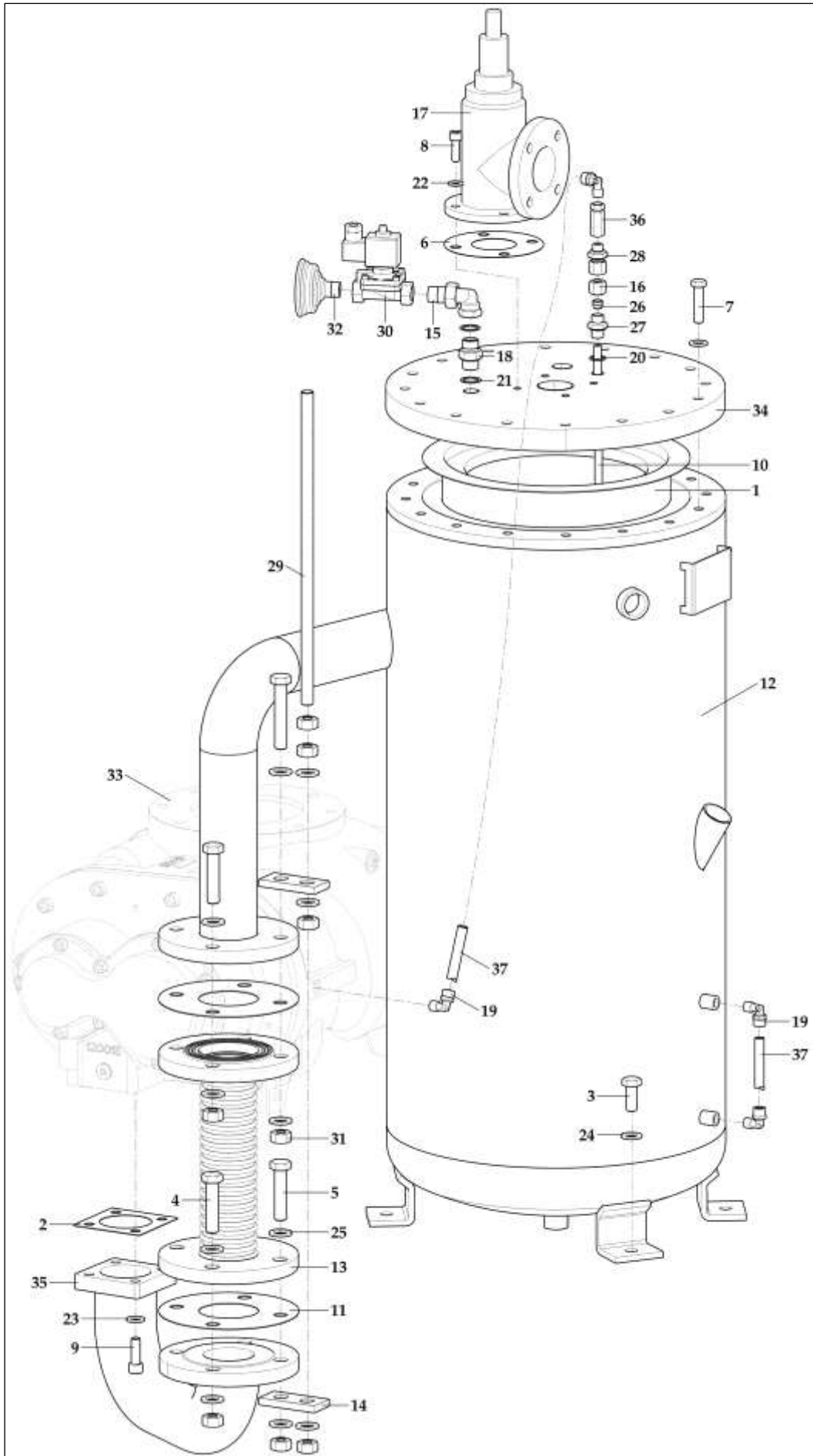
REF.	KOD CODE	ADET QTY	PARÇA ADI	PART NAME
1	1313113700	2	PNÖ.DİRSEK	ELBOW PNEU.
2	1311120710	1	FİLTRE KOVANI	FILTER COVER
3	1313145100	1	ADAPTÖR	ADAPTOR
4	1313145200	1	ADAPTÖR	ADAPTOR
5			BASINÇ SİVİCİ	PRESSURE SWITCH
	1312300700	1	7 BAR	7 BAR
	1312300800	1	10 BAR	10 BAR
	1312300801	1	13 BAR	13 BAR
6	2313121000	1	CİVATA	BOLT
7	0313123200	8	CİVATA	BOLT
8	0313121000	2	CİVATA	BOLT
9	1214226200	1	FİLTRE ASKISI	FILTER SUPPORT
10			EMNİYET VENTİLİ	SAFETY VALVE
	0311160000	1	7 BAR	7 BAR
	0311160100	1	10 BAR	10 BAR
	0311160200	1	13 BAR	13 BAR
11	1313106900	1	EMİŞ HORTUMU	INTAKE HOSE
12	1321102210	1	EMİŞ REGÜLATÖRÜ	INTAKE VALVE
13	1311121500	1	FİLTRE	FILTER
14	1313168900	2	HORTUM KELEPÇESİ	HOSE CLAMP
15	1314217115	1	KONTROL ÜNİTESİ	ELECTRONIC CONTROLLER UNIT
16	1312301400	1	MANOMETRE	PRESSURE GAUGE
17	1312302300	1	NİPEL	NIPPLE
18	1313111100	2	PNO. RAKOR NİPELİ	NIPPLE (CONNECTOR PNEU.)
19	1313112100	2	PNÖ. RAKOR DİRSEK	ELBOW PNEU.
20	2313131700	4	PNÖMATİK RAKOR SOMUNU	NUT (CONNECTOR PNEU.)
21	1313137300	2	PUL	WASHER
22	1313137500	1	PUL	WASHER
23	1313136000	8	PUL	WASHER
24	0313135300	5	PUL	WASHER
25	1313169521	1	O-RING	O-RING
26	1214408100	1	HAVA DAĞITIM TAKOZU	DISTRIBUTION ADAPTOR
27	1313112900	1	REDÜKSİYON	ADAPTOR
28	0313130400	3	SOMUN	NUT
29	1312305000	1	TRANSMİTTER	TRANSMİTTER
30	1314224100	1	TRANSMİTTER BAĞ.LAMASI	PLATE
31	1312302101	1	VAKUM SİVİÇ	ΔP SWITCH
32	2313114401	1	ÇELİK KUYRUKLU DİRSEK	ELBOW
33	1313104400	2	PNÖMATİK HORTUM	TUBE (PA)
34	1313104700	1	PNÖMATİK HORTUM	TUBE (PA)
35	1313104800	1	PNÖMATİK HORTUM (MAVİ)	TUBE (PA)
36	1313137401	1	PUL	WASHER
37	1313109100	1	NİPEL	NIPPLE
38	0312302600	1	SOLENOİD VANA	SOLENOID VALVE
39	1313111800	2	PNÖ. DÜZ RAKOR	CONNECTOR PNEU.



3.1 PARÇA LİSTESİ / PART LIST

DVK 150 D 7-13 BAR

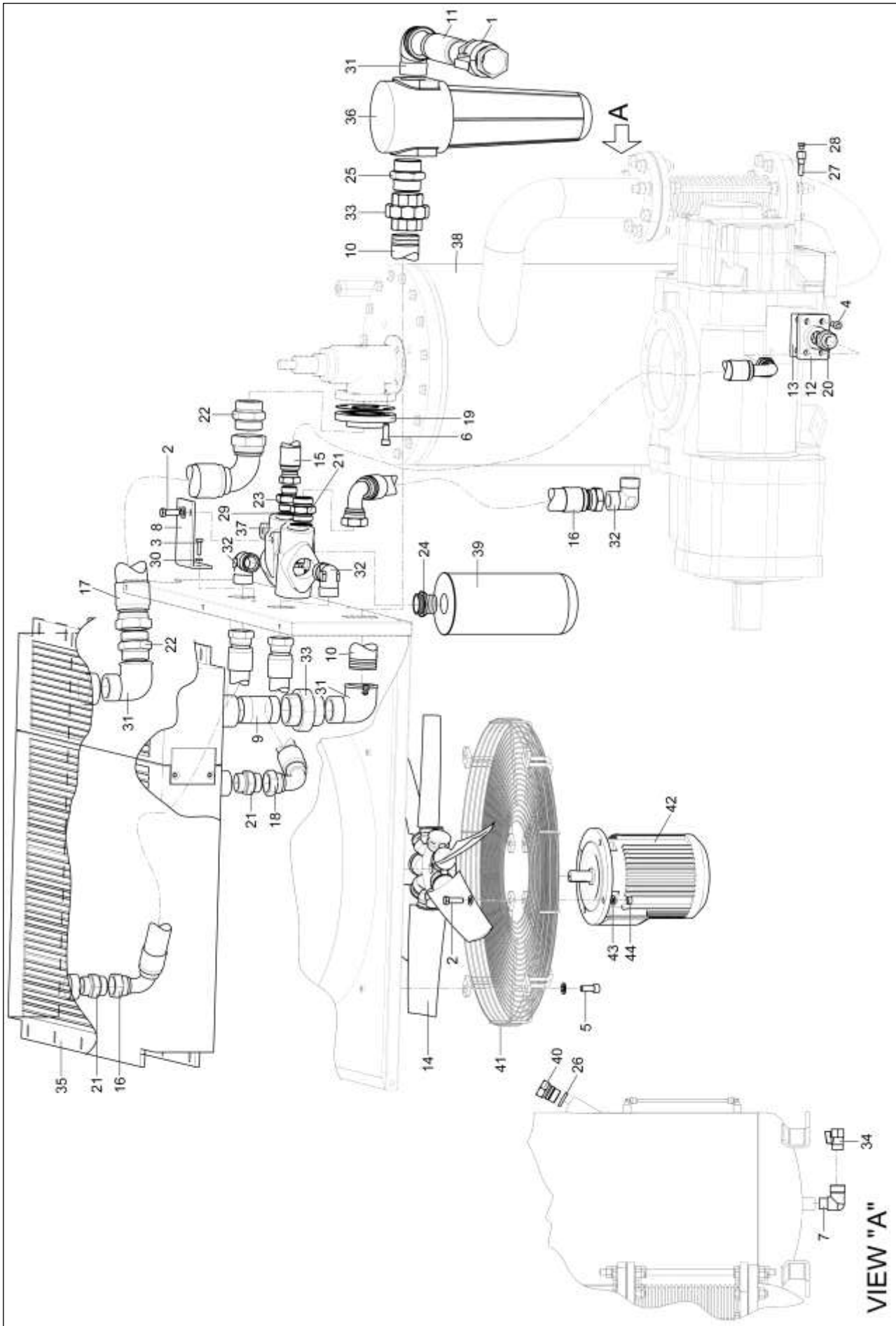
REF.	KOD	ADET	PARÇA ADI	PART NAME
	CODE	QTY		
1	1311125800	1	SEPERATÖR	SEPARATOR
2	0313122500	16	CİVATA	BOLT
3	1313122800	4	CİVATA	BOLT
4	0313123600	12	CİVATA	BOLT
5	1313123600	4	CİVATA	BOLT
6	1313163000	1	CONTA	GASKET
7	2313123400	4	CİVATA	BOLT
8	1313116210	1	ADAPTÖR	ADAPTOR
9	1313161500	2	CONTA	GASKET
10	1321200800	1	SKAVENÇ BORUSU	PIPE
11	1313169512	1	O-RING	ORING
12	1313103100	1	KOMPANSATOR	COMPANSATOR (FLEX HOSE)
13	0313112600	1	KÖŞE RADYATOR RAKORU	ELBOW
14	1321104600	1	MİNİMUM BASINÇ VALFİ	MIN. PRESSURE VALVE
15	1313109100	1	NİPEL	NIPPLE
16	1313111300	4	PNO. RAKOR DİRSEK	ELBOW (PNEU CONNECTOR)
17	1313136500	1	PUL	WASHER
18	1313137400	2	PUL	WASHER
19	0313135700	16	PUL	WASHER
20	1313135900	4	PUL	WASHER
21	1313136000	32	PUL	WASHER
22	1313136100	4	PUL	WASHER
23	2314233900	1	TAPA	PLUG
24	1313112200	1	RAKOR DUZ	CONNECTOR
25	1313126202	2	SAPLAMA	BOLT
26	0312302700	1	SOLENOİD VANA	SOLENOID VALVE
27	0313130800	26	SOMUN	NUT
28	2313173000	1	SUSTURUCU	SILENCER
29	1321100506	1	VİDA	AIREND
30	1214233104	1	YAĞ DEPOSU	OIL TANK
31	1314233900	1	YAĞ DEPOSU KAPAĞI	OIL TANK COVER
32	2311144200	1	ÇEKVALF	NON-RETURN VALVE
33	0313131100	1	SOMUN	NUT
34	2313147400	1	YUKSUK	CONNECTOR
35	1313107100	1	NİPEL	NIPPLE
36	1313104600	2	PNÖ. HORTUM	TUBE (PA)



3.2.1 PARÇA LİSTESİ / PART LIST

DVK 150 D 10 BAR

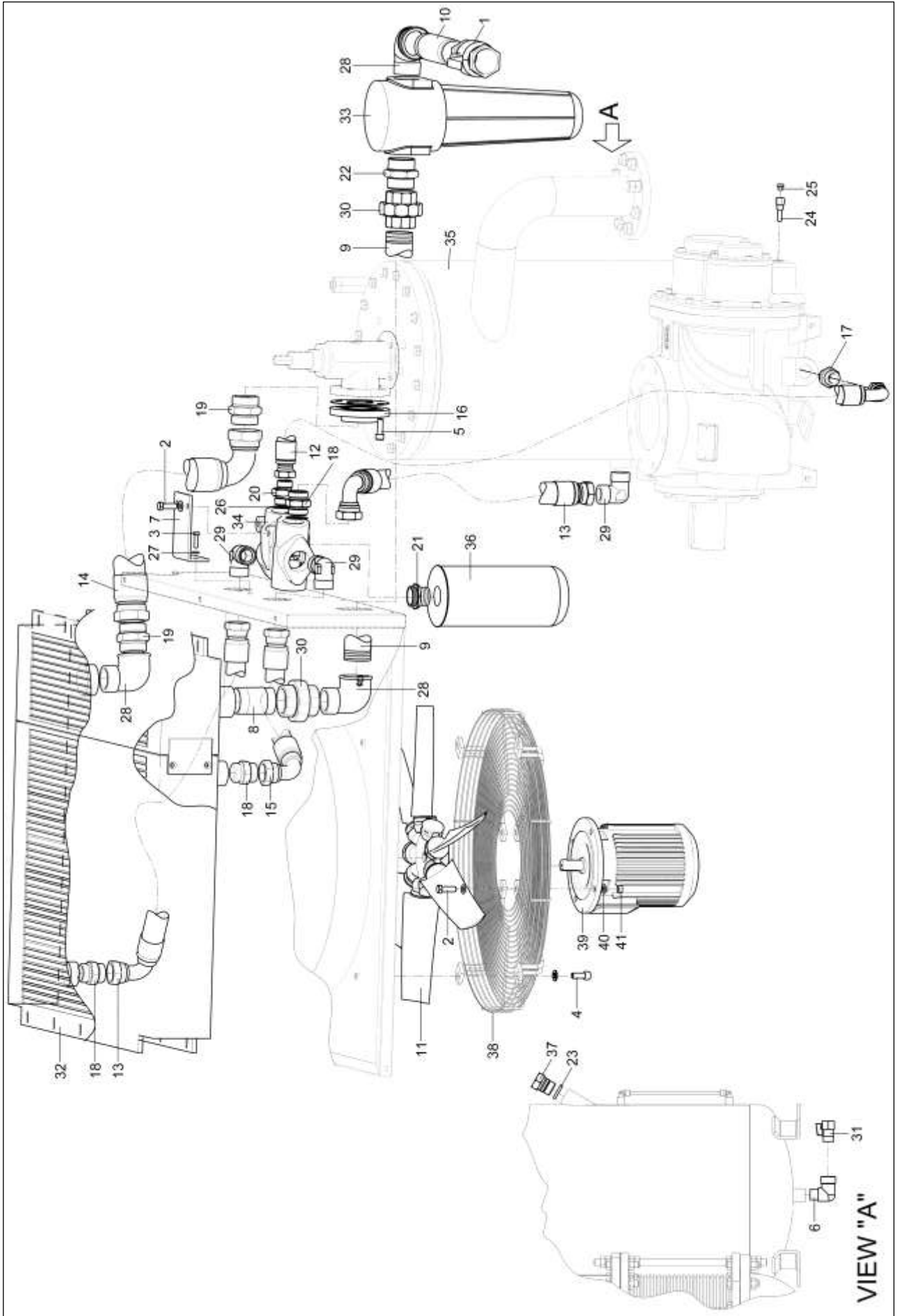
REF.	KOD	ADET	PARÇA ADI	PART NAME
	CODE	QTY		
1	1311125800	1	SEPERATÖR	SEPARATOR
2	1313161402	1	VİDA ALT BOĞAZ FLANŞI	FLANGE
3	1313122800	4	CİVATA	BOLT
4	0313123600	4	CİVATA	BOLT
5	0313124000	4	CİVATA	BOLT
6	1313163000	1	CONTA	GASKET
7	0313122500	16	CİVATA	BOLT
8	2313123400	4	CİVATA	BOLT
9	1313122600	4	CİVATA	BOLT
10	1321200800	1	SKAVENÇ BORUSU	PIPE
11	1313161501	2	CONTA	GASKET
12	1214233106	1	YAĞ DEPOSU	OIL TANK
13	1313103000	1	KOMPANSATOR	COMPANSATOR (FLEX HOSE)
14	1314122300	4	KOMPANSATOR BAG. LAMASI	PLATE
15	0313112600	1	KÖŞE RADYATOR RAKORU	ELBOW
16	0313131100	1	SOMUN	NUT
17	1321104600	1	MİNİMUM BASINÇ VALFİ	MIN. PRESSURE VALVE
18	1313109100	1	NİPEL	NIPPLE
19	1313111300	4	PNO. RAKOR DİRSEK	ELBOW PNEU.
20	2313136600	1	PUL	WASHER
21	1313137400	2	PUL	WASHER
22	2313138100	4	PUL	WASHER
23	0313135700	20	PUL	WASHER
24	1313135900	4	PUL	WASHER
25	1313136000	24	PUL	WASHER
26	2313147400	1	YÜKSÜK	THIMBLE
27	1313107100	1	NİPEL	NIPPLE
28	1313112200	1	RAKOR DÜZ	CONNECTOR
29	1313126202	2	SAPLAMA	BOLT
30	0312302700	1	SOLENOID VANA	SOLENOID VALVE
31	0313130800	18	SOMUN	NUT
32	2313173000	1	SUSTURUCU	SILENCER
33	1321100800	1	VİDA	AIREND
34	1314233900	1	YAĞ DEPOSU KAPAĞI	OIL TANK COVER
35	1313116110	1	YAĞ ÇIKIŞ ADAPTÖR DİRSEĞİ	ADAPTOR
36	2311144200	1	ÇEKVALF	NON-RETURN VALVE



4.1 PARA LİSTESİ / PART LIST

DVK 150 D 7-13 BAR

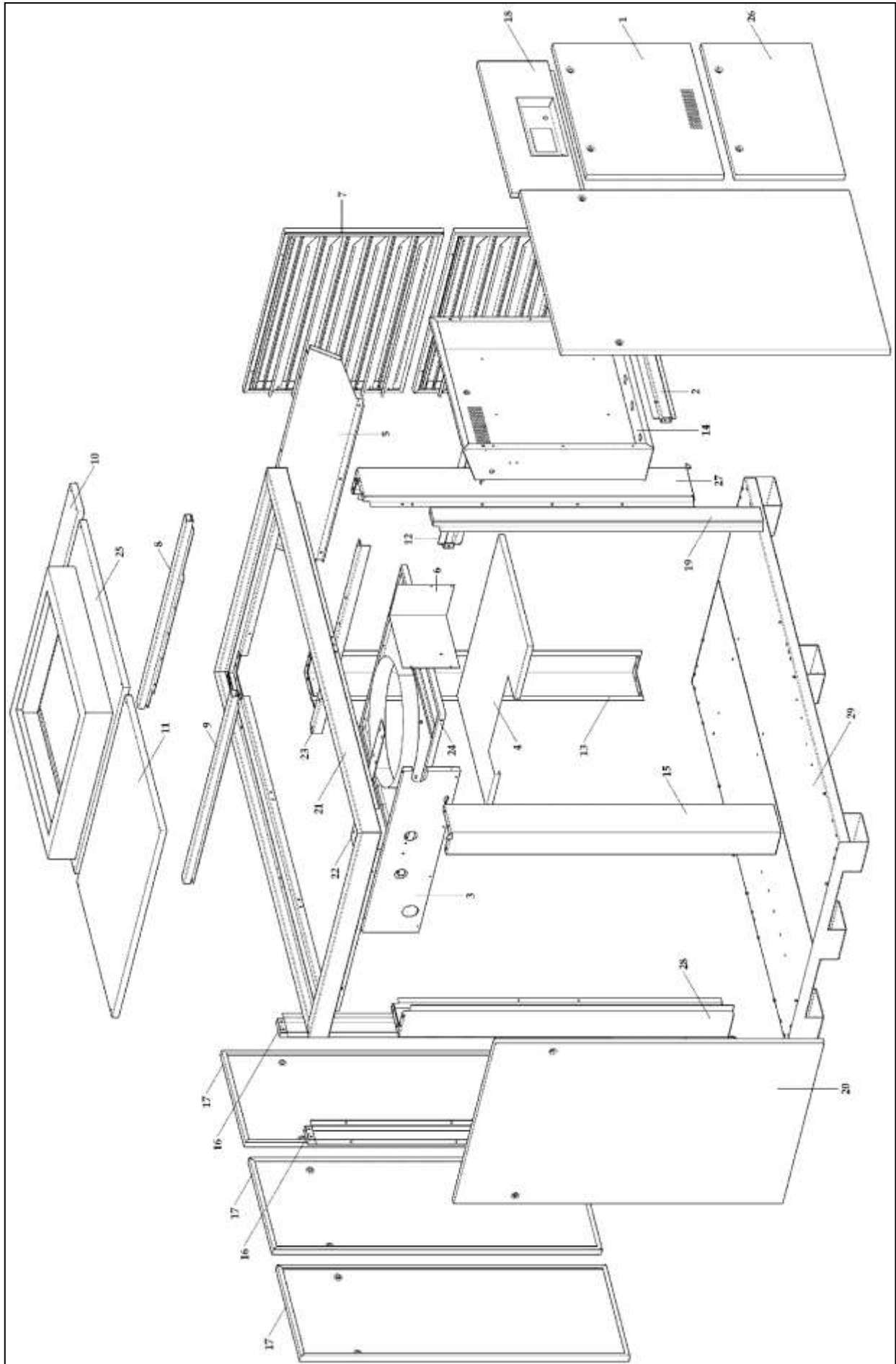
REF.	KOD	ADET	PARA ADI	PART NAME
	CODE	QTY		
1	1313155500	1	KÜRESEL VANA	VALVE
2	0313122300	6	CİVATA	BOLT
3	2313121100	2	CİVATA	BOLT
4	1313122200	4	CİVATA	BOLT
5	2313123400	4	CİVATA	BOLT
6	1313122600	4	CİVATA	BOLT
7	1313114000	1	DİRSEK	ELBOW
8	1314307400	1	MULTIBLOCK BAĞ.LAMASI	PLATE
9	1213183800	1	HAVA ÇIKIŞ BORUSU	PIPE
10	1213183900	1	HAVA ÇIKIŞ BORUSU	PIPE
11	1213183500	1	HAVA ÇIKIŞ BORUSU	PIPE
12	1313116600	1	ADAPTÖR FLANŞI	FLANGE
13	1313161401	1	YAĞ DÖNÜŞ CONTASI	GASKET
14	1311114901	1	FAN	FAN
15	1313301607	1	HİDROLİK HORTUM	HOSE
16	1313302112	2	HİDROLİK HORTUM	HOSE
17	1313302907	1	HİDROLİK HORTUM	HOSE
18	1313308801	1	HİDROLİK HORTUM	HOSE
19	1313116700	1	FLANŞ	FLANGE
20	1313319200	1	NİPEL	NIPPLE
21	1313319300	3	NİPEL	NIPPLE
22	1313318200	2	NİPEL	NIPPLE
23	1313317600	1	NİPEL	NIPPLE
24	1313316900	1	NİPEL	NIPPLE
25	1313110301	1	NİPEL	NIPPLE
26	1313167500	1	O-RİNG	O-RING
27	1312301601	1	PROB KILIFI	PROBE COVER
28	1312301800	1	PROB SOMUNU	PROBE NUT
29	0313137701	2	PUL	WASHER
30	0313135300	2	PUL	WASHER
31	1313114301	3	DİRSEK	ELBOW
32	1313313901	3	DİRSEK	ELBOW
33	1313112205	2	RAKOR	CONNECTOR
34	0313155101	1	VANA	VALVE
35	1321110620	1	RADYATOR	RADIATOR
36	5315400900	1	SU SEPARATORU	WATER SEPARATOR
37	1321111900	1	TERMOSTATİK VALF	THERMOSTATIC VALVE
38	1214233104	1	YAĞ DEPOSU	OIL TANK
39	1311123800	1	YAĞ FİLTRESİ	OIL FILTER
40	1214229700	1	YAĞ TAPASI	PLUG
41	1311202600	1	FAN SİPERİ	FAN GUARD
42	1312100512	1	MOTOR	MOTOR
43	0313135700	10	PUL	WASHER
44	0313130600	4	SOMUN	NUT



4.2.1 PARÇA LİSTESİ / PART LIST

DVK 150 D 10 BAR

REF.	KOD	ADET	PARÇA ADI	PART NAME
	CODE	QTY		
1	1313155500	1	KÜRESEL VANA	VALVE
2	0313122300	6	CİVATA	BOLT
3	2313121100	2	CİVATA	BOLT
4	2313123400	4	CİVATA	BOLT
5	1313122600	4	CİVATA	BOLT
6	1313114000	1	DİRSEK	ELBOW
7	1314307400	1	MULTIBLOCK BAĞ.LAMASI	PLATE
8	1213183800	1	HAVA ÇIKIŞ BORUSU	PIPE
9	1213183900	1	HAVA ÇIKIŞ BORUSU	PIPE
10	1213183500	1	HAVA ÇIKIŞ BORUSU	PIPE
11	1311114901	1	FAN	FAN
12	1313301610	1	HİDROLİK HORTUM	HOSE
13	1313302112	2	HİDROLİK HORTUM	HOSE
14	1313302907	1	HİDROLİK HORTUM	HOSE
15	1313308801	1	HİDROLİK HORTUM	HOSE
16	1313116700	1	FLANŞ	FLANGE
17	1313319200	1	NİPEL	NIPPLE
18	1313319300	3	NİPEL	NIPPLE
19	1313318200	2	NİPEL	NIPPLE
20	1313317600	1	NİPEL	NIPPLE
21	1313316900	1	NİPEL	NIPPLE
22	1313110301	1	NİPEL	NIPPLE
23	1313167500	1	O-RİNG	O-RING
24	1312301601	1	PROB KILIFI	PROBE COVER
25	1312301800	1	PROB SOMUNU	PROBE NUT
26	0313137701	2	PUL	WASHER
27	0313135300	2	PUL	WASHER
28	1313114301	3	DİRSEK	ELBOW
29	1313313901	3	DİRSEK	ELBOW
30	1313112205	2	RAKOR	CONNECTOR
31	0313155101	1	VANA	VALVE
32	1321110620	1	RADYATOR	RADIATOR
33	5315400900	1	SU SEPARATORU	WATER SEPARATOR
34	1321111900	1	TERMOSTATİK VALF	THERMOSTATIC VALVE
35	1214233106	1	YAĞ DEPOSU	OIL TANK
36	1311123800	1	YAĞ FİLTRESİ	OIL FILTER
37	1214229700	1	YAĞ TAPASI	PLUG
38	1311202600	1	FAN SİPERİ	FAN GUARD
39	1312100512	1	MOTOR	MOTOR
40	0313135700	10	PUL	WASHER
41	0313130600	4	SOMUN	NUT



5.1 PARÇA LİSTESİ / PART LIST

DVK 150 D

REF.	KOD CODE	ADET QTY	PARÇA ADI	PART NAME
1	1312241500	1	ELEK.DOLAP KAPAĞI	ELECTRICAL CUBICLE COVER
2	1214283600	1	ELEK.DOLAP OTURMA DİREĞİ	ELECTRICAL CUBICLE SUPPORT
3	1314299800	1	BÖLME ARA KAPAK	SEPARATION POLE COVER
4	1314299400	1	HAVA ÇARPTIRMA PANELİ	PANEL
5	1314299300	1	MOTOR DAVL.ÜST BÖLME KAPAGI	MOTOR COWL COVER
6	1314299100	1	MOTOR ÜST BÖLME ARA PARÇA	MOTOR SEPARATOR TOP
7	1314299000	2	SAĞ YAN KAPAK	RIGHT SIDE COVER
8	1314298900	1	ÜST BÖLME DİREĞİ SAĞ	TOP RIGHT SEPARATOR
9	1314298800	1	ÜST BÖLME DİREĞİ SOL	TOP LEFT SEPARATOR
10	1314298700	1	ÜST DAR KAPAK	TOP COVER (NARROW)
11	1314298600	1	ÜST GENİŞ KAPAK	TOP COVER (WIDE)
12	1314296500	1	SAĞ YAN ARA DİREK	RIGHT SIDE SEPARATOR POLE
13	1314296400	1	ARKA SAĞ DİREK	BACK RIGHT POLE
14	1314296300	1	ELEKTRİK DOLABI	ELECTRICAL CUBICLE
15	1314296000	1	ÖN SOL KÖŞE DİREK	FRONT LEFT POLE
16	1314295900	2	ARKA ARA DİREK	BACK SEPARATION POLE
17	1314295800	3	ARKA KAPAK	BACK COVER
18	1314295700	1	PLC PANEL SACI	PANEL SHEET
19	1314295600	1	ÖN ARA DİREK	FRONT SEPARATION POLE
20	1314295500	2	ÖN VE SOL YAN KAPAK	FRONT LEFT SIDE COVER
21	1314295300	1	ÜST PROFİL	TOP FRAME
22	1314307200	1	RAD.BAĞLANTI PARÇASI SOL	RADIATOR SUPPORT (LEFT)
23	1314307100	1	RADYATÖR BAĞLANTI KÖŞEBENTİ (SAĞ)	RADIATOR SUPPORT (RIGHT)
24			FAN DAVLUMBAZI	FAN HOUSING
	1314307000	1	DVK 100B D	DVK 100B D
	1314308400	1	DVK 125-150 D	DVK 125-150 D
25			RAD. DAMPERİ	COVER COOLER
	1314299900	1	DVK 100B D	DVK 100B D
	1314299700	1	DVK 125-150 D	DVK 125-150 D
26	1314211200	1	ÖN KAPAK	FRONT COVER
27	1314294800	1	SAĞ ÖN KÖŞE DİREĞİ	FRONT RIGHT POLE
28	1314294700	1	SOL ARKA KÖŞE DİREĞİ	BACK LEFT POLE
29	1314294600	1	TABAN	BOTTOM FRAME